

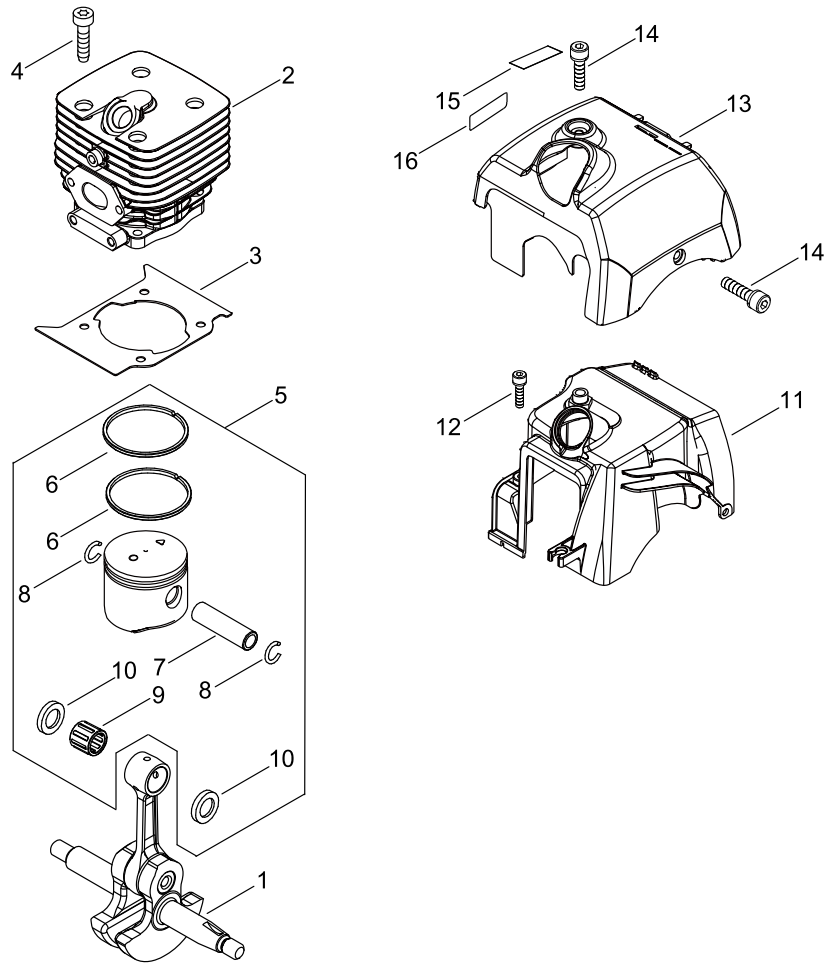
RM-520ES

Published:10/05/2016

TABLE OF CONTENTS

CYLINDER, PISTON, CRANKSHAFT.....	1
CRANKCASE	3
MAGNETO.....	5
CLUTCH.....	7
AIR CLEANER, CARBURETOR.....	9
CARBURETOR.....	11
FUEL TANK.....	13
MUFFLER	15
RECOIL STARTER.....	17
BACKPACK HARNESS	19
GEAR CASE, SHIELD.....	21
MAIN PIPE, HANDLE.....	23
THROTTLE	25
ACCESSORIES	27
NYLON LINE CUTTER.....	29

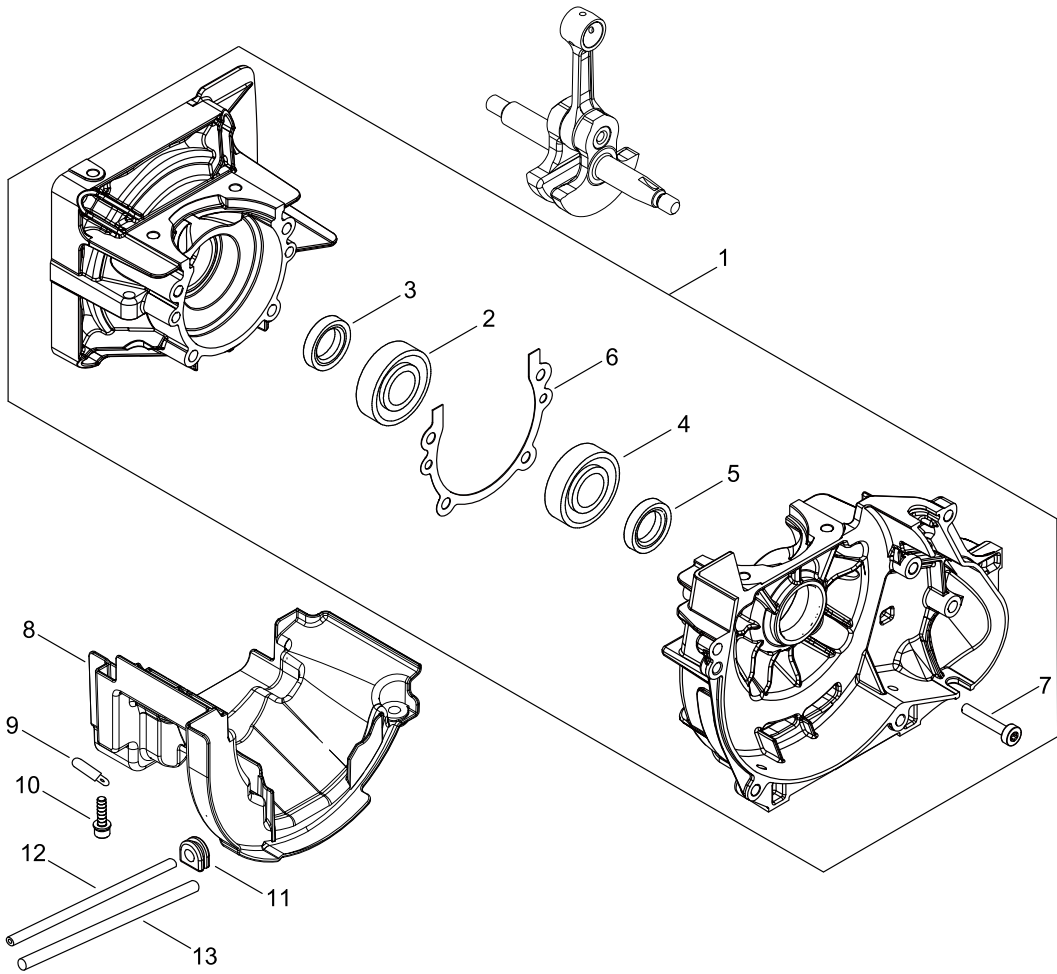
CYLINDER, PISTON, CRANKSHAFT



CYLINDER, PISTON, CRANKSHAFT

KEY NO	LV(+)	Part No	Description	Qty	Standard
1		A011-001350	CRANKSHAFT,ASY	1	
2		A130-002191	CYLINDER	1	
3		V100-000790	GASKET,CYL	1	T:0.8
4		V805-000210	BOLT, TORX 5	4	TB-5*20 12.9
5		P021-050440	PISTON KIT	1	
6	+	A101-000690	RING, PISTON	2	44*1.2*1.8
7	+	V609-000000	PIN,ENG 11	1	
8	+	100015-32330	CIRCLIP, PISTON PIN	2	
9	+	V556-000000	BEARING,NEEDLE 11	1	KBK11*15*15.8X2
10	+	V308-000100	WASHER,CIRCULAR 11	2	
11		A160-002930	COVER,CYLINDER	1	
12		V835-000000	BOLT, TORX 5	1	
13		A160-002631	COVER,CYLINDER	1	
14		V835-000000	BOLT, TORX 5	2	
15		X503-013650	LABEL,MODEL	1	
16		X547-002860	LABEL,ECHO	1	

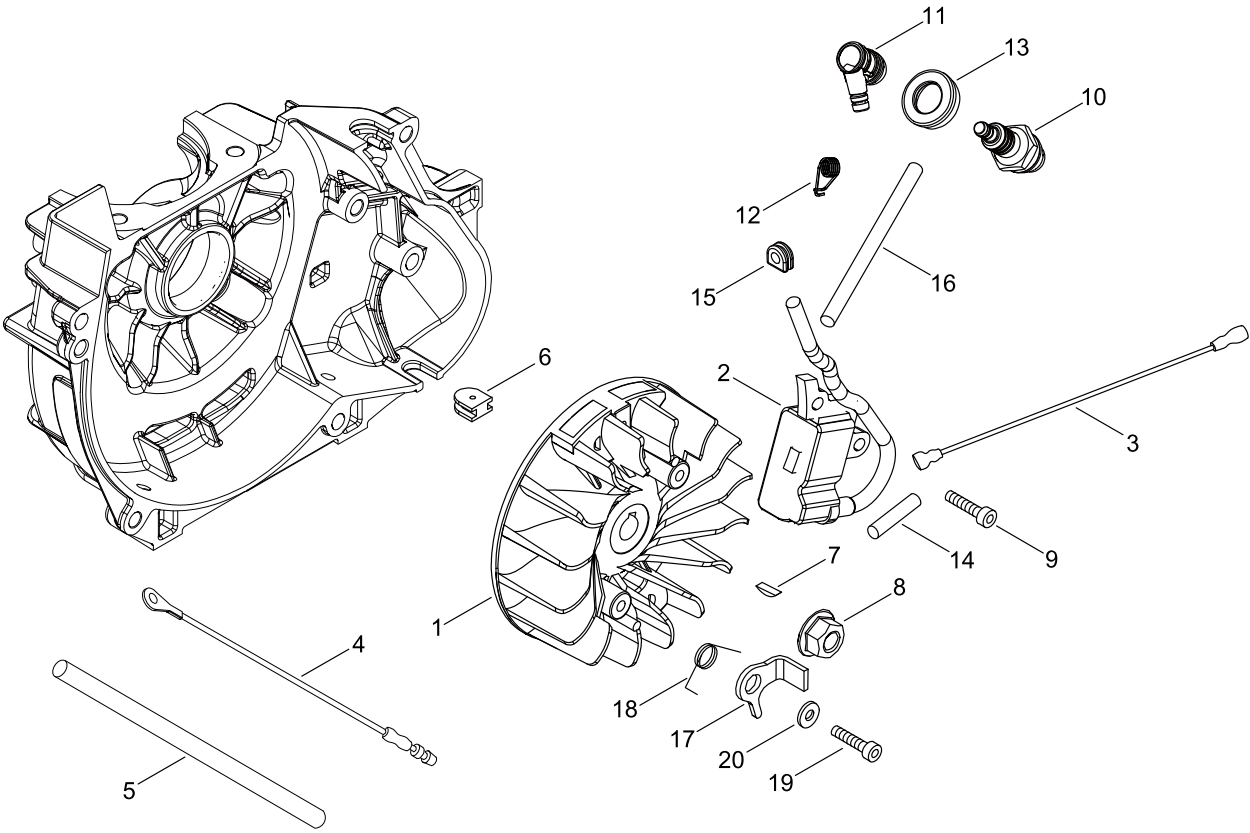
CRANKCASE



CRANKCASE

KEY NO	LV(+)	Part No	Description	Qty	Standard
1		P021-047120	CRANK CASE SET	1	
2	+	900810-36202	BEARING, BALL 6202	1	6202/C3
3	+	100213-00310	OILSEAL	1	ISCD 15 25 7
4	+	900810-36202	BEARING, BALL 6202	1	6202/C3
5	+	100213-00310	OILSEAL	1	ISCD 15 25 7
6	+	V102-000260	GASKET,CRANKCASE	1	T:0.5
7	+	V805-000180	BOLT, TORX 5	4	TB-5*30 12.9
8		A209-000740	PLATE, INSULATOR	1	
9		159116-21231	CLAMP	1	
10		V835-000000	BOLT, TORX 5	2	
11		156110-04920	BUSHING	1	
12		V471-000740	PIPE	1	
13		V475-008080	TUBE	1	8*9*125

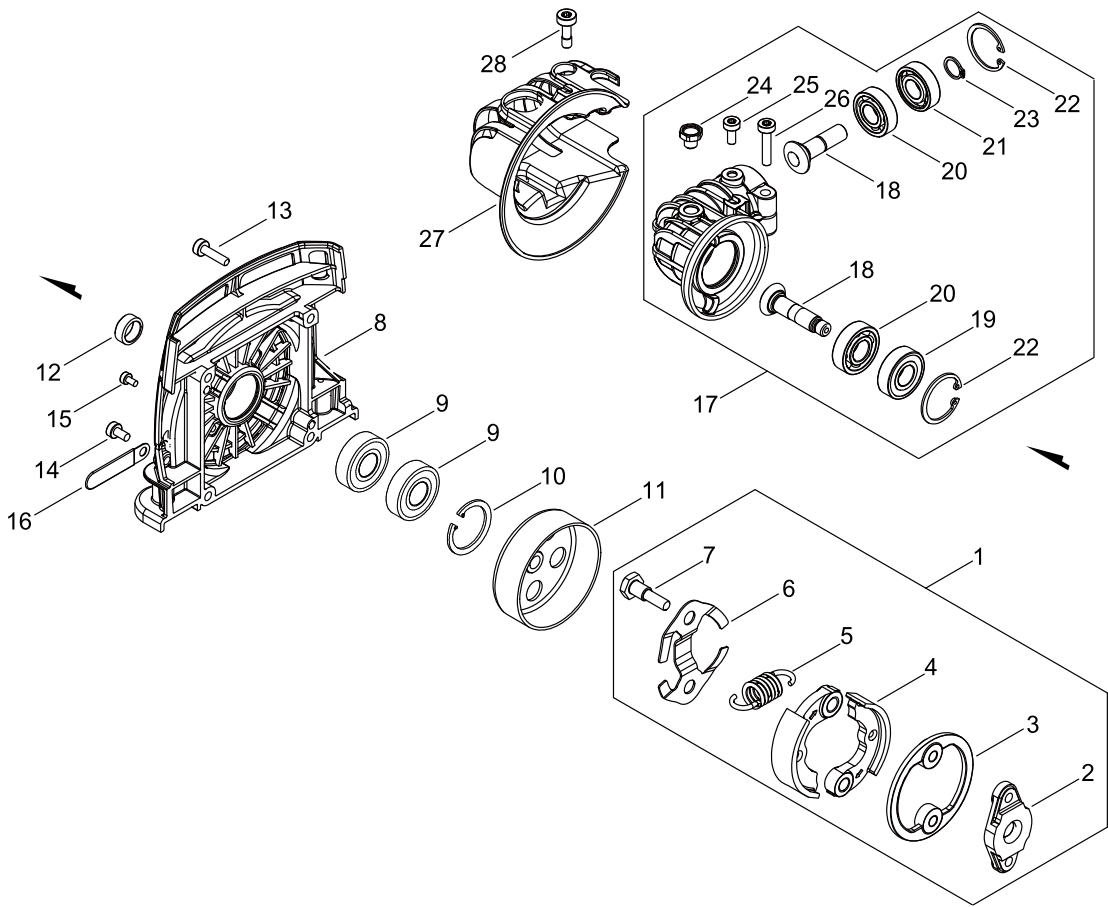
MAGNETO



MAGNETO

KEY NO	LV(+)	Part No	Description	Qty	Standard
1		A409-001210	ROTOR, MAGNETO	1	
2		A411-001480	COIL, IGNITION	1	
3		V485-002331	LEAD	1	
4		V485-002570	LEAD	1	
5		V475-008080	TUBE	1	8*9*125
6		156114-07320	GROMMET	1	
7		100142-12330	KEY, WOODRUFF	1	
8		92105-08000	NUT, FLANGE	1	M8*1.25 L
9		V805-000150	BOLT, TORX 5	2	TB-5*16 10.9
10		A425-000000	SPARKPLUG	1	BPMR8Y
11		A427-000060	CAP,SPARK PLUG	1	
12		A426-000010	TERMINAL,SPARKPLUG	1	
13		A429-000090	COVER,CAP	1	
14		V475-007540	TUBE	1	
15		156110-04920	BUSHING	1	
16		V475-007550	TUBE	1	
17		A514-000280	PAWL	2	
18		V452-001471	SPRING,TORSION	2	
19		V805-000140	BOLT, TORX 5	2	TB-5*12 10.9
20		177247-04630	SPACER, RATCHET	2	5.2*8*2.1

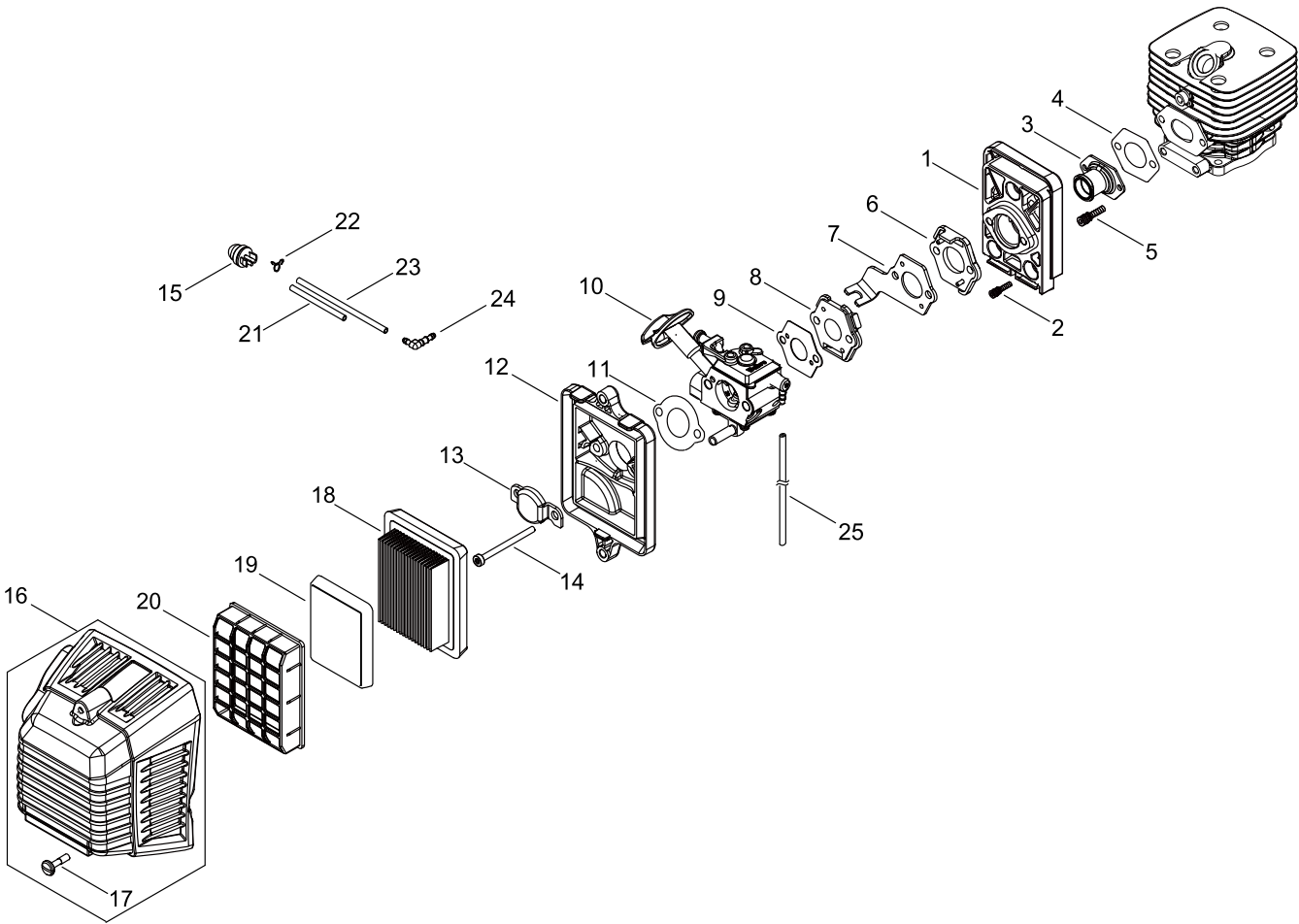
CLUTCH



CLUTCH

KEY NO	LV(+)	Part No	Description	Qty	Standard
1		P021-050530	CLUTCH ASY	1	
2	+	A552-000450	HUB, CLUTCH	1	
3	+	V376-001980	SPACER	1	
4	+	A553-000170	ARM, CLUTCH	2	
5	+	A566-000230	SPRING, CLUTCH	1	
6	+	V453-000230	SPRING,FLAT	1	
7	+	A557-000190	SHAFT, CLUTCH	2	
8		A570-000340	CASE,CLUTCH	1	
9		900804-06001	BEARING, BALL 6001ZZ	2	6001ZZ
10		900702-00028	CIRCLIP 28	1	CR-28
11		A556-001730	DRUM, CLUTCH	1	
12		V357-000200	COLLAR	1	
13		V805-000160	BOLT, TORX 5	4	TB-5*20 10.9
14		V805-000140	BOLT, TORX 5	1	TB-5*12 10.9
15		V804-000040	BOLT, TORX 4	1	TB-4*10 10.9
16		159116-21231	CLAMP	1	
17		P021-050540	GEAR CASE ASY	1	
18	+	V000-000240	GEAR SET, BEVEL	1	15/15 M10
19	+	94025-06001	BEARING, BALL	1	NTN BB6003LLH
20	+	94060-06001	BEARING, BALL	2	BB6001
21	+	94063-06001	BEARING, BALL	1	
22	+	900702-00028	CIRCLIP 28	2	CR-28
23	+	900701-00012	CIRCLIP 12	1	CS-12
24	+	610434-50031	BOLT 8*8	1	M8*8
25	+	V805-000140	BOLT, TORX 5	1	TB-5*12 10.9
26	+	V805-000220	BOLT, TORX 5	1	TB-5*25 12.9
27		C537-000000	BOOT,GEAR CASE	1	
28		V805-000320	BOLT, TORX 5	1	TB-5*16 10.9

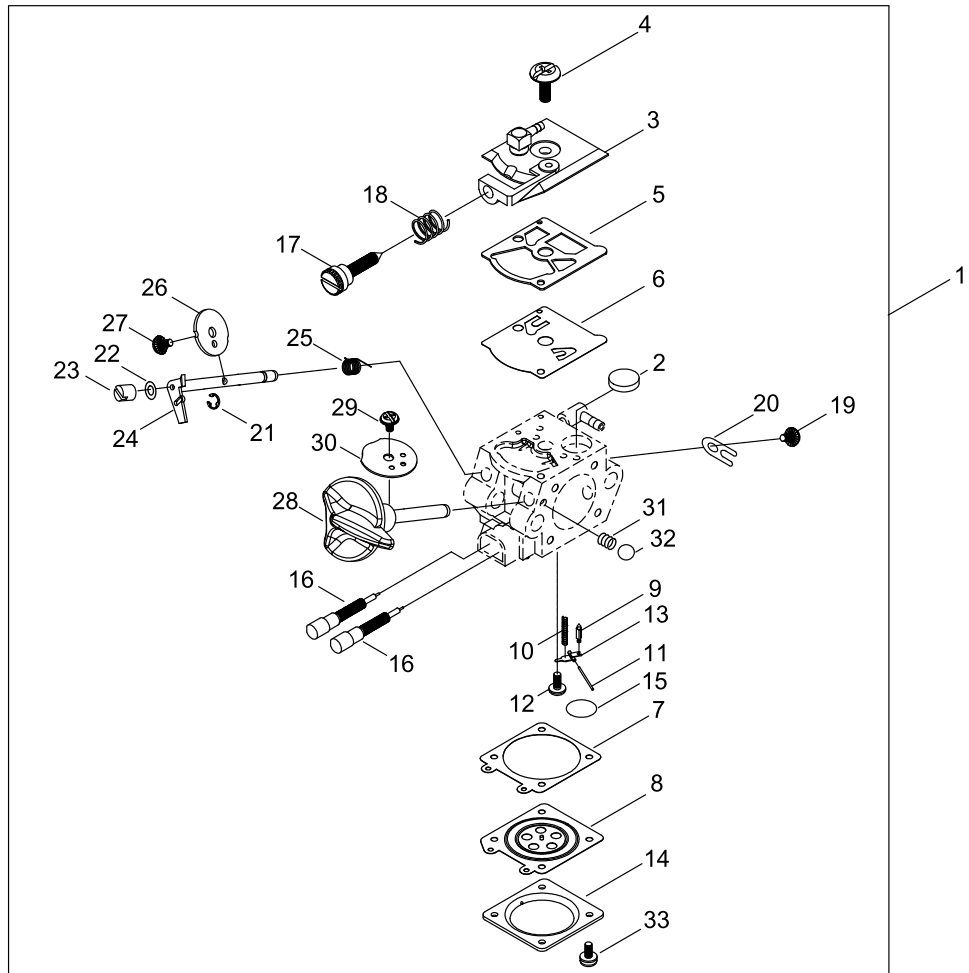
AIR CLEANER, CARBURETOR



AIR CLEANER, CARBURETOR

KEY NO	LV(+)	Part No	Description	Qty	Standard
1		A200-000990	INSULATOR, INTAKE	1	
2		V855-000000	BOLT, TORX 5	3	TB-5*20
3		A202-000270	BELLOWS, INTAKE	1	
4		V103-001620	GASKET,INTAKE	1	
5		V835-000010	BOLT, TORX 5	2	TB-5*12 10.9
6		A209-000720	PLATE, INSULATOR	1	
7		C487-000410	HOLDER, CABLE	1	
8		A209-000840	PLATE, INSULATOR	1	
9		V103-001610	GASKET,INTAKE	1	
10		A021-004220	CARBURETOR, DIAPHRAGM	1	WT-1096
11		V103-000500	GASKET,INTAKE	1	ASK NO.4600
12		A225-000690	CASE,CLEANER	1	
13		A244-000290	PLATE, PREVENT	1	
14		V805-000330	BOLT, TORX 5	2	TB-5*65 12.9
15		123181-39130	PUMP, PRIMER	1	
16		P021-047380	CLEANER LID ASY	1	
17	+	V253-000100	SCREW,5	2	5*20
18		A226-000361	ELEMENT, AIR FILTER	1	AFP-2010K-300
19		A226-001740	ELEMENT, AIR FILTER	1	
20		A227-000040	PLATE, ELEMENT	1	
21		V471-001300	PIPE	1	2.4*5*65
22		V490-000510	CLIP	1	
23		V471-000550	PIPE	1	3*6*145
24		V186-000500	JOINT,PIPE	1	
25		437217-20760	PIPE 3* 6*100	1	3*6*100 NBR

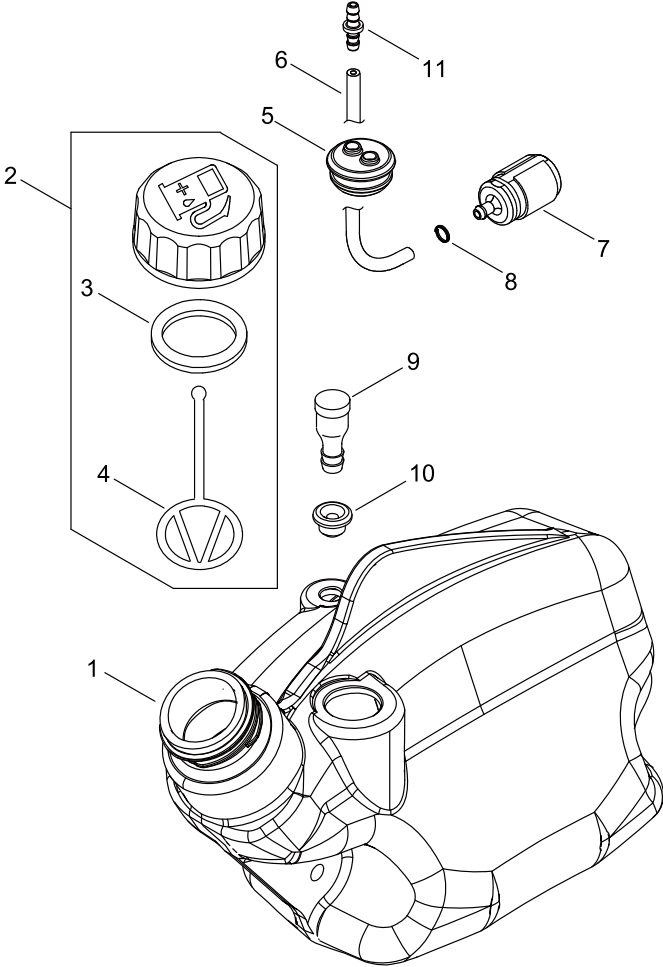
CARBURETOR



CARBURETOR

KEY NO	LV(+)	Part No	Description	Qty	Standard
1		A021-004220	CARBURETOR, DIAPHRAGM	1	WT-1096
2	+	123126-10631	SCREEN, INLET	1	
3	+	P003-005450	PUMP COVER ASY	1	
4	+	123110-03930	SCREW, PUMP COVER	1	
5	+	123125-15030	GASKET, FUEL PUMP	1	
6	+	123112-15030	DIAPHRAGM, FUEL PUMP	1	
7	+	123140-27230	GASKET, M. DIAPHRAGM	1	
8	+	P003-001850	DIAPHRAGM, METERING	1	
9	+	123137-19830	VALVE, INLET NEEDLE	1	
10	+	123122-03660	SPRING, METER. LEVER	1	
11	+	123138-03930	PIN, METERING LEVER	1	
12	+	123139-03930	SCREW, M. LEVER PIN	1	
13	+	123123-03930	LEVER, METERING	1	
14	+	123142-03930	COVER, M. DIAPHRAGM	1	
15	+	123146-10631	PLUG, WELCH	1	
16	+	P003-002270	NEEDLE	2	
17	+	123134-04260	SCREW, IDLE ADJUST	1	
18	+	123133-04260	SPRING, IDLE ADJUST	1	
19	+	P003-005120	SCREW	1	
20	+	123127-03930	CLIP, THROTTLE SHAFT	1	
21	+	123173-07930	CLIP	1	
22	+	123149-54230	WASHER	1	
23	+	P003-005460	SWIVEL	1	
24	+	P003-005020	SHAFT ASM THROTTLE	1	
25	+	123113-47530	SPRING, THR. RTN.	1	
26	+	P003-000310	VALVE THROTTLE	1	
27	+	P003-002380	SCREW	1	
28	+	P003-005470	SHAFT ASY, CHOKE	1	
29	+	123114-38830	SCREW	1	
30	+	P003-001790	VALVE, CHOKE	1	
31	+	123135-10630	SPRING, CHOKE FRICT.	1	
32	+	123136-10630	BALL, CHOKE FRICTION	1	
33	+	123130-02960	SCREW	4	

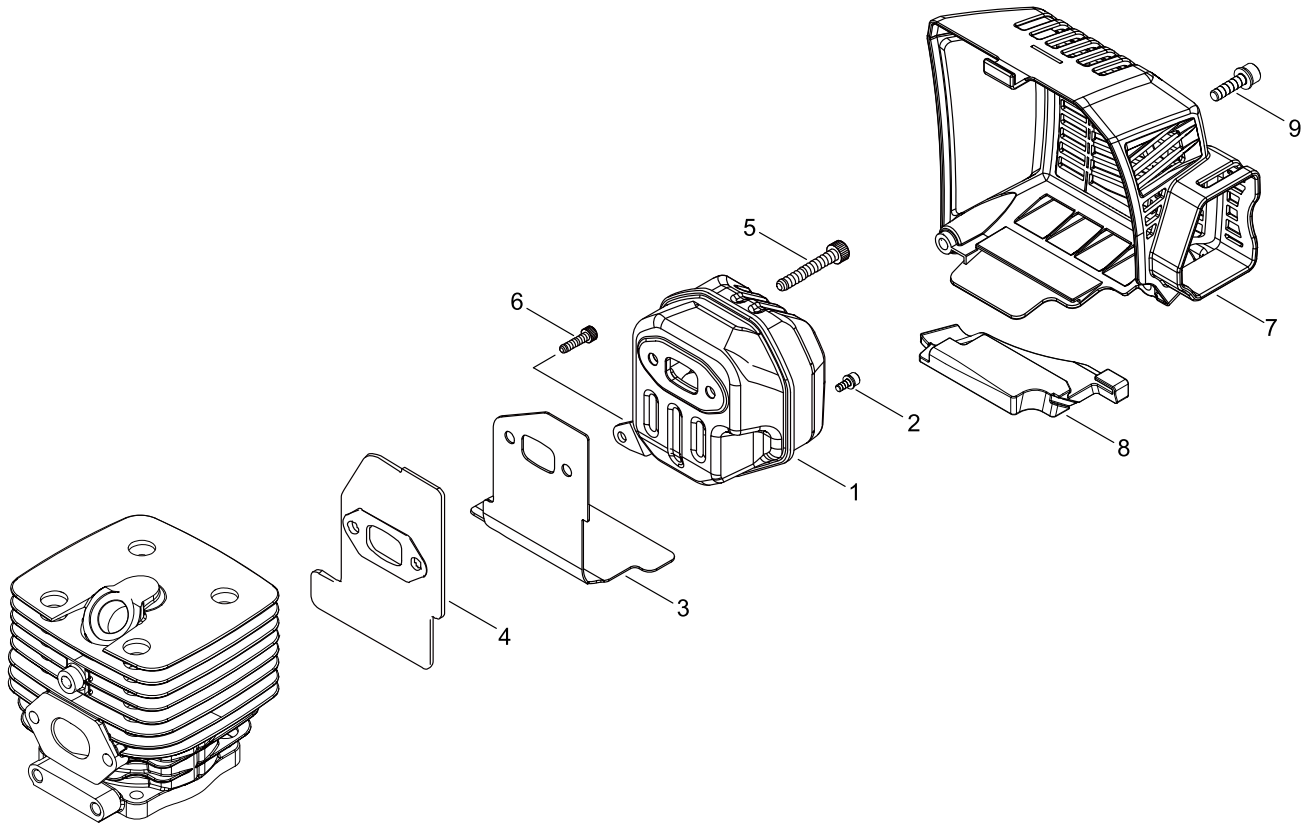
FUEL TANK



FUEL TANK

KEY NO	LV(+)	Part No	Description	Qty	Standard
1		A350-002310	TANK, FUEL	1	
2		P021-012210	CAP,FUEL ASY	1	
3	+	131016-55830	GASKET, FUEL CAP	1	
4	+	A365-000060	CONNECTOR,CAP	1	L=123
5		132115-56230	GROMMET, FUEL	1	
6		V471-002170	PIPE	1	3*5*230
7		A369-000001	STRAINER, FUEL	1	125-528
8		V490-001240	CLIP	1	
9		131300-56431	VENT ASSEMBLY, FUEL	1	
10		V137-000000	GROMMET,FUEL	1	
11		V186-000510	JOINT,PIPE	1	

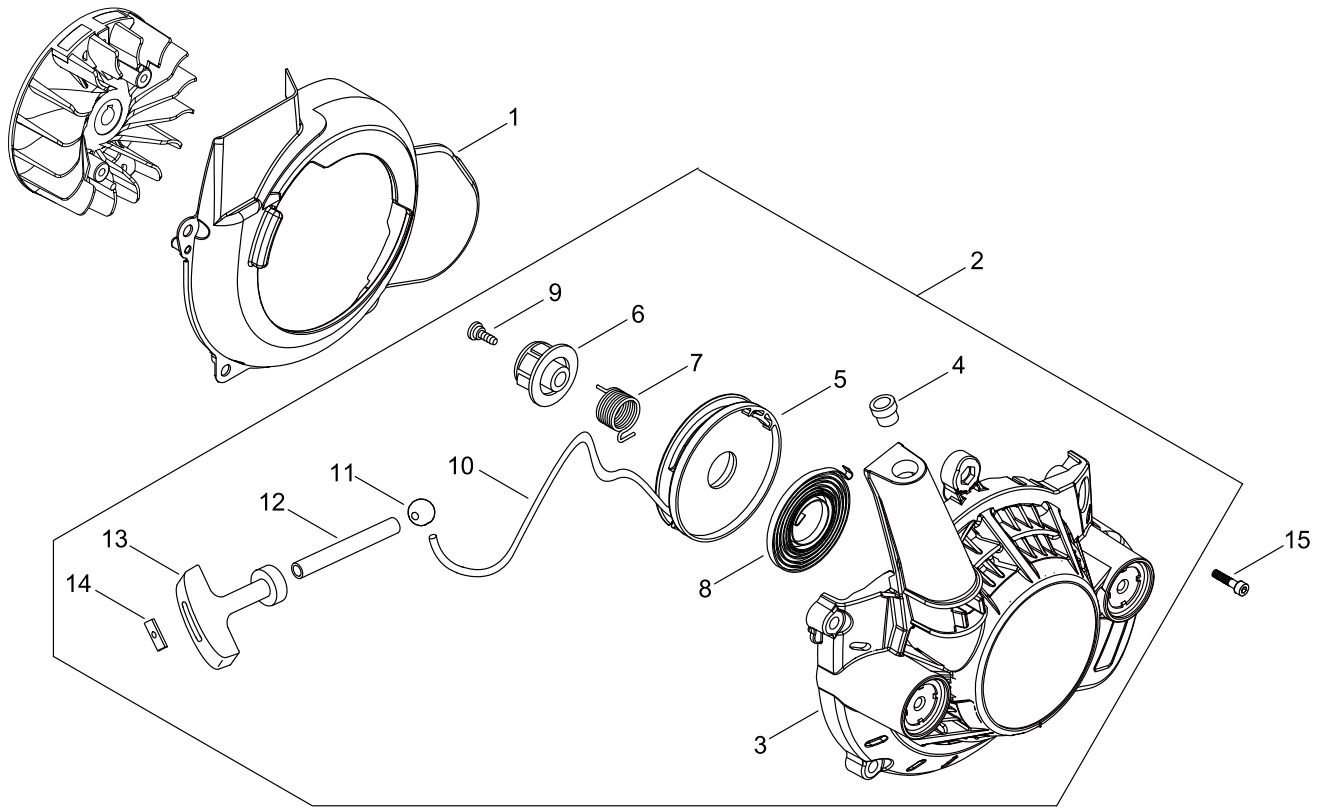
MUFFLER



MUFFLER

KEY NO	LV(+)	Part No	Description	Qty	Standard
1		A300-001850	MUFFLER, EXHAUST	1	ID:2150
2		V804-000030	BOLT, TORX 4	1	TB-4*8 10.9
3		V104-002170	GASKET,EXHAUST	1	NP7002 T:1.0
4		V104-002030	GASKET,EXHAUST	1	
5		V806-000050	BOLT, TORX 6	2	TB-6*20 12.9
6		V805-000300	BOLT, TORX 5	1	TB-5*12 12.9
7		A320-001000	COVER,MUFFLER	1	
8		V541-000540	SEAL	1	
9		V805-000260	BOLT, TORX 5	2	TB5*25 10.9

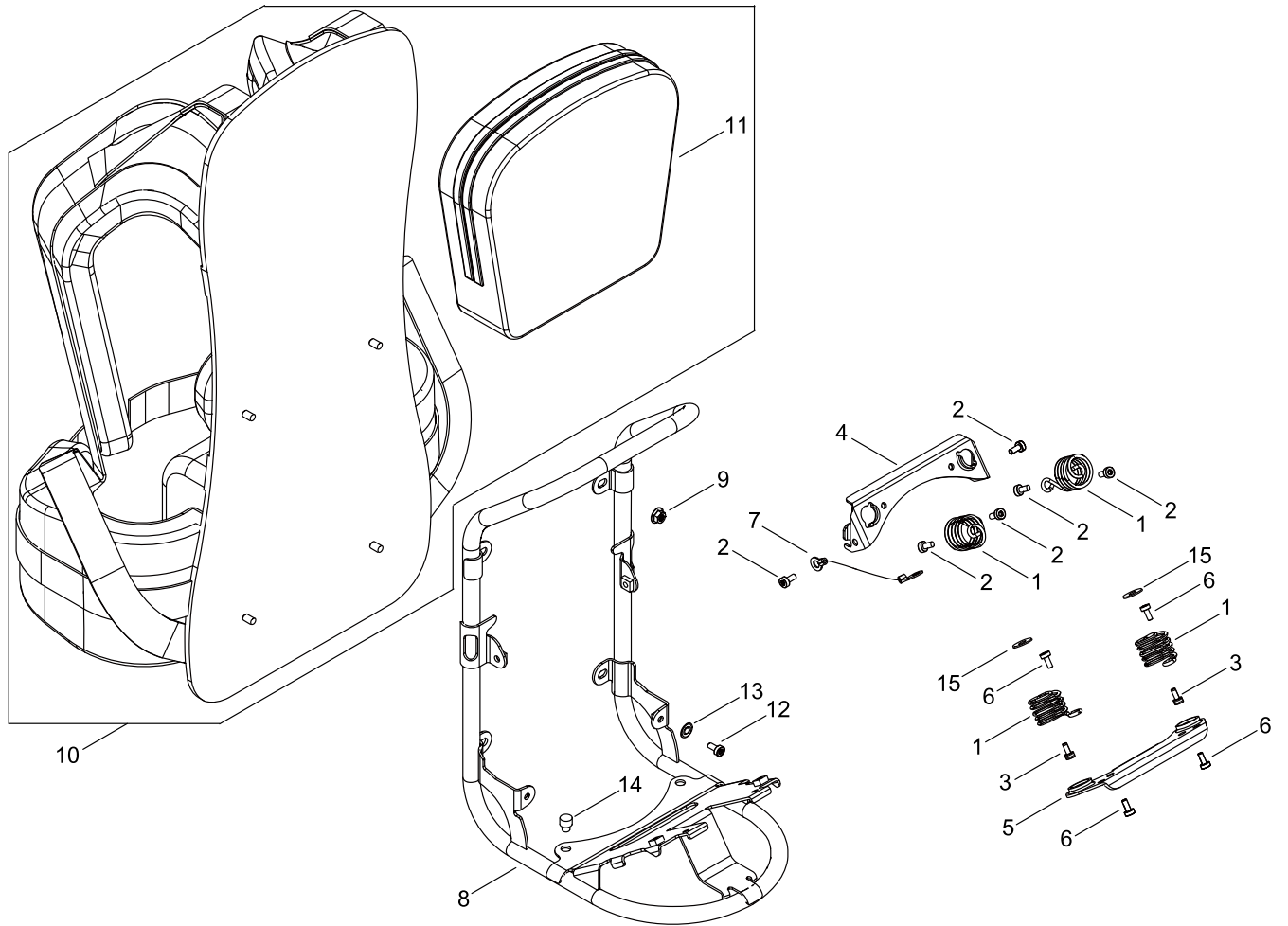
RECOIL STARTER



RECOIL STARTER

KEY NO	LV(+)	Part No	Description	Qty	Standard
1		A172-002600	COVER,FAN	1	
2		A051-003170	STARTER,RECOIL ASY	1	
3	+	P022-042440	STARTER CASE	1	
4	+	177227-42030	GUIDE, ROPE	1	
5	+	P022-023140	DRUM, STARTER	1	
6	+	P022-033830	CAM	1	
7	+	P022-042450	SPRING DAMPER	1	
8	+	P022-042460	SPRING SPIRAL	1	
9	+	P022-023110	SCREW	1	
10	+	P022-042470	ROPE STARTER	1	
11	+	177272-10120	STOPPER	1	
12	+	V471-003161	PIPE	1	7*11*75 BLACK
13	+	177228-27030	GRIP, STARTER	1	
14	+	P022-037670	STOPPER, ROPE	1	
15		V835-000030	BOLT, TORX 5	4	TB-5*20 10.9

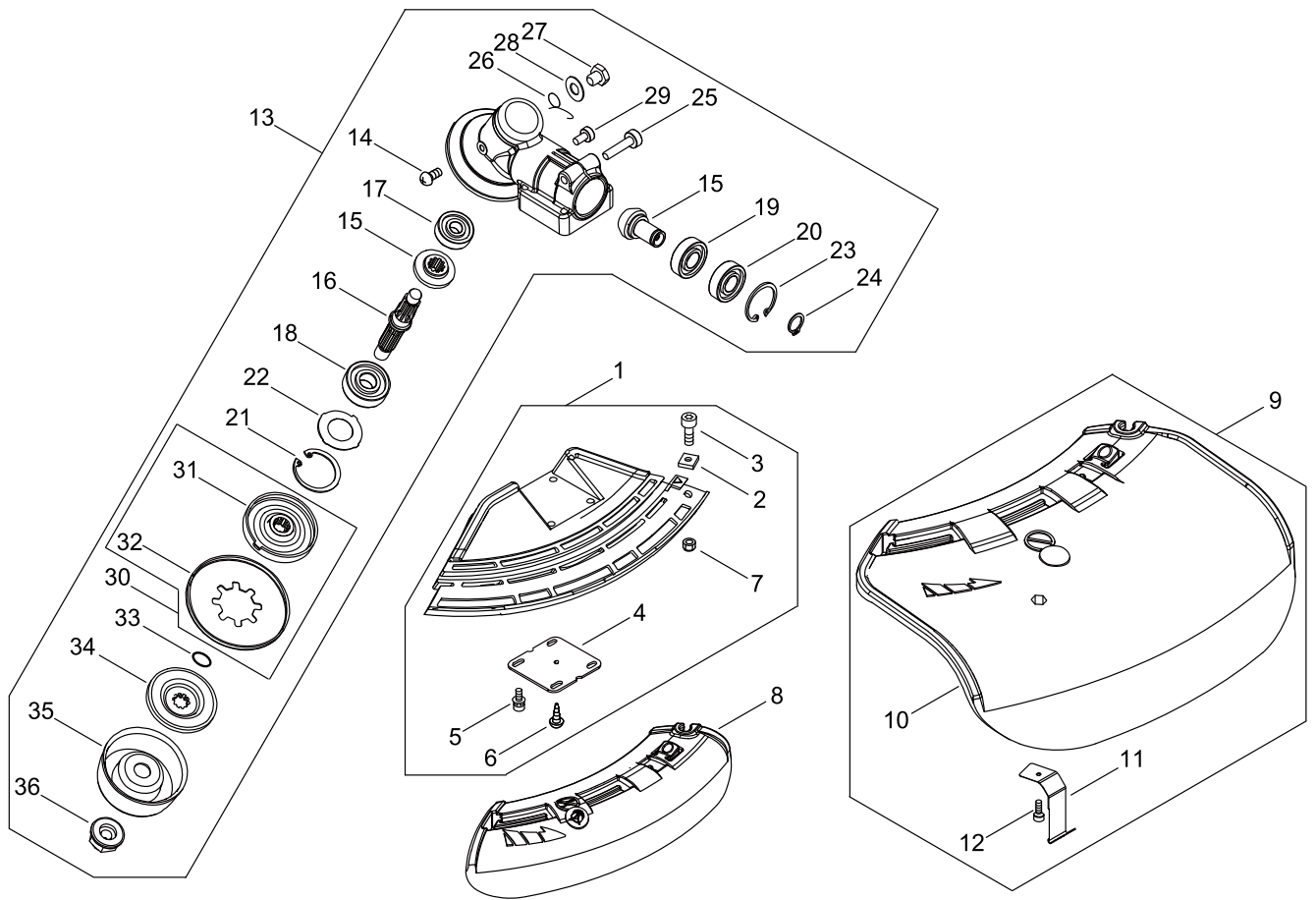
BACKPACK HARNESS



BACKPACK HARNESS

KEY NO	LV(+)	Part No	Description	Qty	Standard
1		V450-000330	SPRING,COMPRESSION	4	
2		V805-000140	BOLT, TORX 5	6	TB-5*12 10.9
3		V805-000000	BOLT, TORX 5	2	TT-5*16 DG 10.9
4		V456-000350	HOLDER,SPRING	1	
5		V456-000340	HOLDER,SPRING	1	
6		V805-000140	BOLT, TORX 5	4	TB-5*12 10.9
7		C617-000770	STOPPER	1	
8		C620-000490	FRAME, BACKPACK	1	
9		900516-00005	NUT, FRANGE 5	4	5
10		C061-000700	HARNESS,ASM BACKPACK	1	
11	+	X698-000140	TOOL,CASE	1	240X70X220 ECHO
12		V805-000150	BOLT, TORX 5	2	TB-5*16 10.9
13		177214-02830	WASHER	2	5.2*16*1.0T
14		V420-001790	CUSHION	2	
15		177214-02830	WASHER	2	5.2*16*1.0T

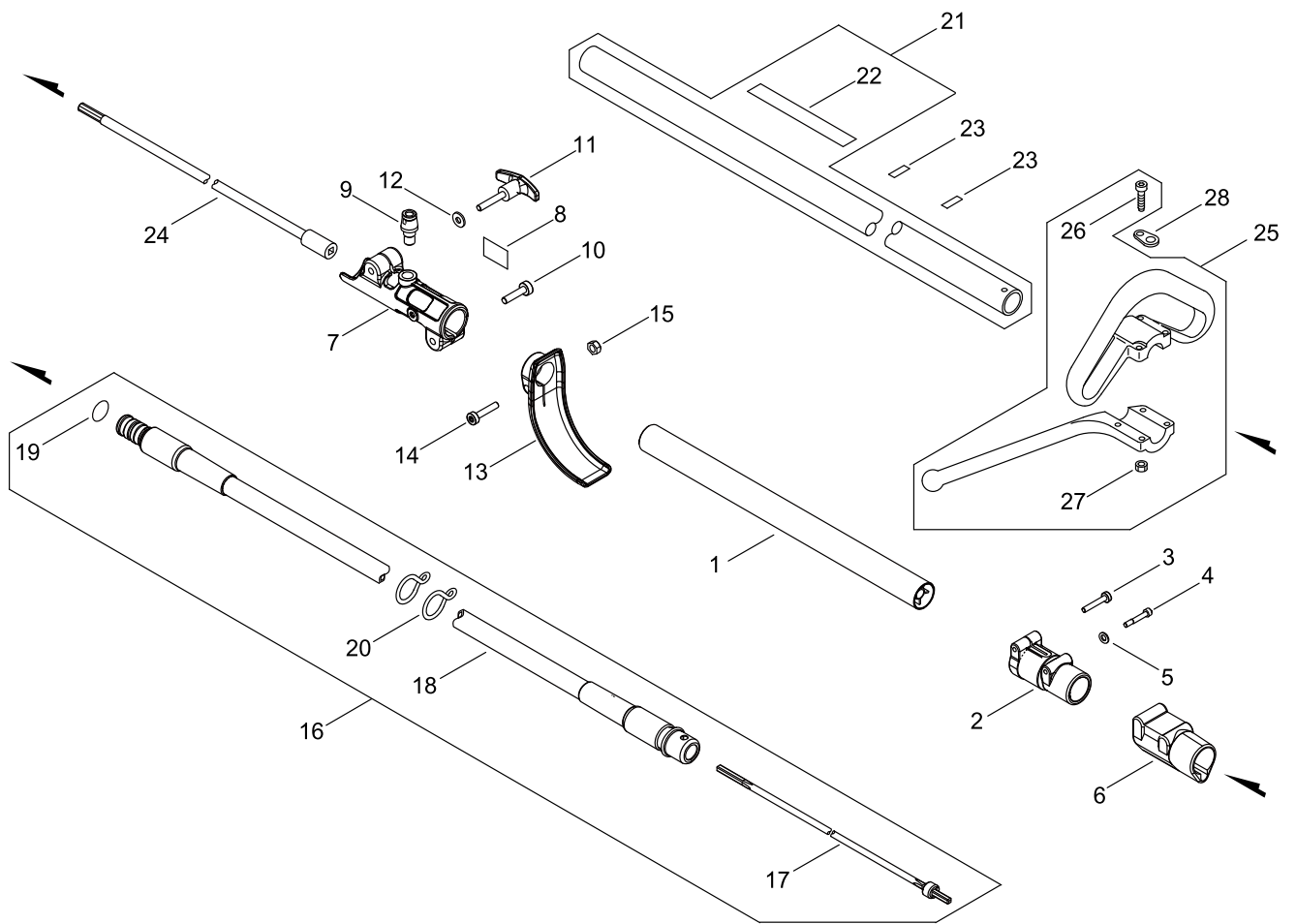
GEAR CASE, SHIELD



GEAR CASE, SHIELD

KEY NO	LV(+)	Part No	Description	Qty	Standard
1		P021-050810	SHIELD BLADE ASY	1	
2	+	900565-00005	NUT	1	5
3	+	V805-000170	BOLT, TORX 5	1	TB-5*25 10.9
4	+	C552-000200	PLATE, SHIELD	1	
5	+	V805-000260	BOLT, TORX 5	4	TB5*25 10.9
6	+	91316-04010	SCREW	1	M4*10
7	+	900562-00005	NUT, LOCK	1	5
8		C550-000551	SHIELD, BLADE	1	
9		P021-041320	SHIELD ASY, BLADE	1	
10	+	C550-000570	SHIELD, BLADE	1	
11	+	C554-000030	KNIFE, CORD	1	17INCH
12	+	V805-000150	BOLT, TORX 5	1	TB-5*16 10.9
13		P021-041342	CASE, GEAR	1	
14	+	900220-04006	SCREW 4*6	1	4*6
15	+	610300-56930	GEAR SET	1	
16	+	610310-56933	SHAFT, P.T.O.	1	12*10*1
17	+	900810-00629	BEARING, BALL 629	1	629
18	+	900812-06201	BEARING, BALL 6201	1	6201DDU(LLU)
19	+	900800-06001	BEARING, BALL 6001	1	6001
20	+	900803-06001	BEARING, BALL 6001	1	6001Z
21	+	900702-00032	CIRCLIP 32	1	CR-32
22	+	610444-56830	WASHER	1	
23	+	900702-00028	CIRCLIP 28	1	CR-28
24	+	900701-00012	CIRCLIP 12	1	CS-12
25	+	V806-000100	BOLT, TORX 6	1	TB-6*30 10.9
26	+	V452-001310	SPRING, TORSION	1	
27	+	610434-50031	BOLT 8* 8	1	M8*8
28	+	900603-50008	WASHER	1	8.5*18*0.8T
29	+	V805-000130	BOLT, TORX 5	1	TB-5*10 10.9
30	+	610313-52932	FIXTURE, BLADE	1	
31	++	610313-52132	FIXTURE, BLADE	1	
32	++	610352-56830	PLATE, CUP	1	
33	+	900720-00012	O-RING 12	1	P-12
34	+	610314-52130	PLATE, ADAPTER (L)	1	
35	+	699229-56830	PLATE, COVER	1	
36	+	610320-52130	NUT 10	1	

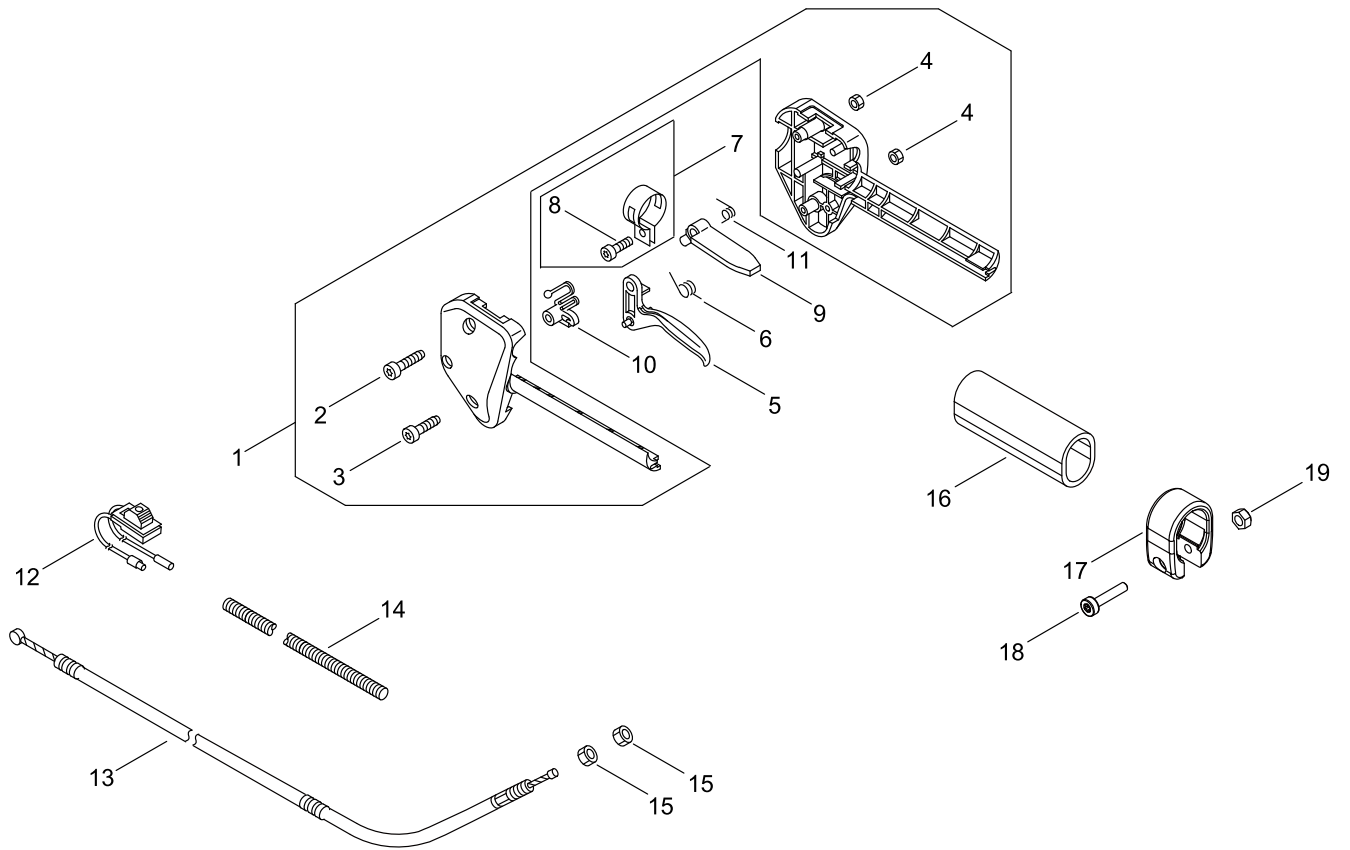
MAIN PIPE, HANDLE



MAIN PIPE, HANDLE

KEY NO	LV(+)	Part No	Description	Qty	Standard
1		C050-002960	PIPE,MAIN	1	25X320XT1.2
2		C510-000290	COUPLING, MAIN PIPE	1	
3		V805-000050	BOLT, TORX 5	1	TB-5*30 10.9
4		V203-002300	BOLT,5	1	M5*30
5		900600-00005	WASHER 5	1	5
6		C483-000010	BOOT,CONNECTOR	1	
7		C510-000300	COUPLING, MAIN PIPE	1	
8		890160-42230	LABEL, CAUTION	1	
9		178302-56630	LATCH ASSY	1	
10		V806-000020	BOLT, TORX 6	1	TB-6*25 10.9
11		V299-000620	KNOB,FASTENER	1	M6*L30
12		V304-000160	WASHER	1	
13		A248-000050	GUARD, LEVER	1	
14		V805-000160	BOLT, TORX 5	1	TB-5*20 10.9
15		900500-00005	NUT 5	1	5
16		C057-000300	FLEX SHAFT,ASM	1	
17	+	C506-000460	SHAFT,FLEXIBLE	1	
18	+	C508-000090	COVER,FLEX SHAFT	1	
19	++	900720-00018	O-RING 18	1	P-18
20	+	300318-56330	HOOK	2	9*30
21		P021-050630	MAIN PIPE ASY	1	
22	+	890617-43130	LABEL,CAUTION	1	
23		890152-04930	LABEL, CAUTION	2	
24		C504-001280	SHAFT, DRIVE	1	8*1140
25		P021-050660	FRONT HANDLE ASY	1	
26	+	V805-000060	BOLT, TORX 5	4	TB-5*35 10.9
27	+	900500-00005	NUT 5	4	5
28		300515-07130	PLATE, ROPE	1	

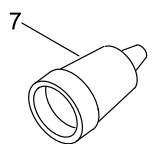
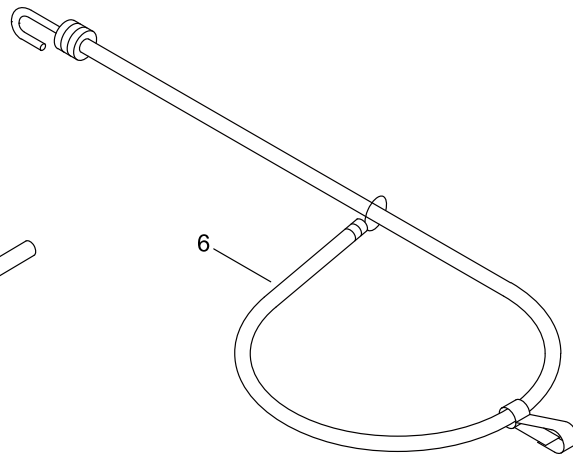
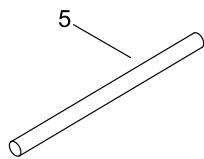
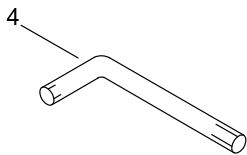
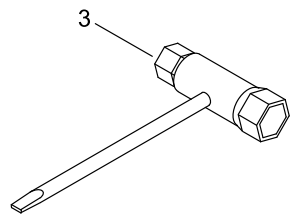
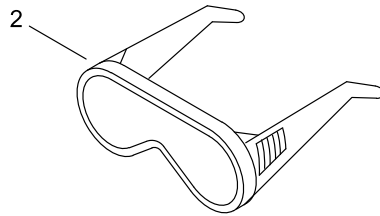
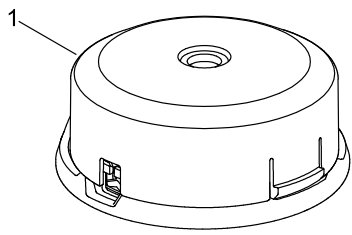
THROTTLE



THROTTLE

KEY NO	LV(+)	Part No	Description	Qty	Standard
1		P021-050640	TRIGGER HOLDER SET	1	
2	+	V805-000060	BOLT, TORX 5	1	TB-5*35 10.9
3	+	V805-000170	BOLT, TORX 5	1	TB-5*25 10.9
4	+	900500-00005	NUT 5	2	5
5		C450-000990	CONTROL, THROTTLE	1	
6		178043-42230	SPRING, THR. RETURN	1	
7		P021-050650	BAND ASY	1	
8	+	V805-000150	BOLT, TORX 5	1	TB-5*16 10.9
9		178090-52632	LOCKOUT, T. CONTROL	1	
10		178012-52630	LOCKOUT, THROTTLE	1	
11		178013-52630	SPRING, THR. LOCK	1	
12		A440-002760	SWITCH, ON OFF	1	
13		V430-004930	CABLE,BOWDEN	1	
14		V475-008800	TUBE	1	7*1250
15		900502-00006	NUT 6 (3N)	2	3N6
16		C403-000140	GRIP, HANDLE	1	L129.5*28
17		610272-52130	BAND	1	
18		V805-000260	BOLT, TORX 5	1	TB5*25 10.9
19		900500-00005	NUT 5	1	5

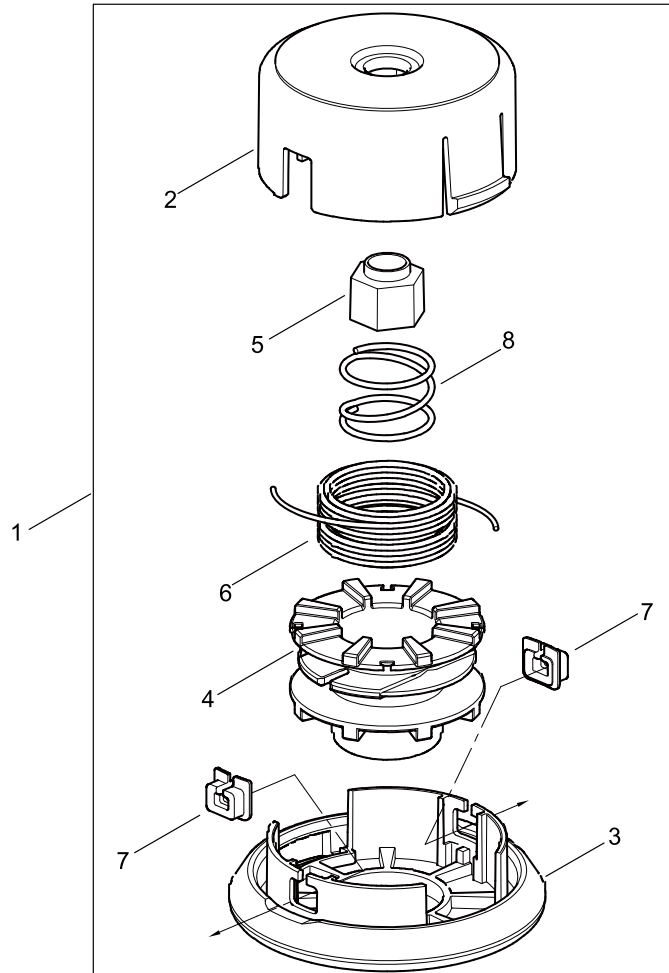
ACCESSORIES



ACCESSORIES

KEY NO	LV(+)	Part No	Description	Qty	Standard
1		X047-001180	CUTTER,ASM LINE	1	Z-5/M10L
2		X690-000080	GOGGLE	1	SI CHINA, Z87.1
3		X602-000020	TOOL,WRENCH	1	17*19 L200
4		X605-000170	TOOL,L WRENCH	1	
5		X606-000080	TOOL,BAR	1	5*120
6		300500-07131	ROPE, ELASTIC	1	
7		C525-000070	CAP,MAIN PIPE	1	

NYLON LINE CUTTER



NYLON LINE CUTTER

KEY NO	LV(+)	Part No	Description	Qty	Standard
1		X047-001180	CUTTER,ASM LINE	1	Z-5/M10L
2	+	P022-035000	HOUSING	1	
3	+	P022-010410	COVER	1	
4	+	P022-010400	BOBBIN	1	
5	+	P022-023180	NUT	1	
6	+	P022-010380	NYLON CODE	1	
7	+	P022-000710	EYELET	2	T4
8	+	P022-010370	SPRING	1	

NUMERICAL PARTS INDEX

Part No	Part description	Page	Part No	Part description	Page	Part No	Part description	Page
100015-3-2330	CIRCLIP, PISTON PIN	2	123173-0-7930	CLIP	12	610272-5-2130	BAND	26
100142-1-2330	KEY, WOODRUFF	6	123181-3-9130	PUMP, PRIMER	10	610300-5-6930	GEAR SET	22
100213-0-0310	OILSEAL	4	131016-5-5830	GASKET, FUEL CAP	14	610310-5-6933	SHAFT, P.T.O.	22
123110-0-3930	SCREW, PUMP COVER	12	131300-5-6431	VENT ASSEMBLY, FUEL	14	610313-5-2132	FIXTURE, BLADE	22
123112-1-5030	DIAPHRAGM, FUEL PUMP	12	132115-5-6230	GROMMET, FUEL	14	610313-5-2932	FIXTURE, BLADE	22
123113-4-7530	SPRING, THR. RTN.	12	156110-0-4920	BUSHING	4	610314-5-2130	PLATE, ADAPTER (L)	22
123114-3-8830	SCREW	12	156110-0-4920	BUSHING	6	610320-5-2130	NUT 10	22
123122-0-3660	SPRING, METER. LEVER	12	156114-0-7320	GROMMET	6	610352-5-6830	PLATE, CUP	22
123123-0-3930	LEVER, METERING	12	159116-2-1231	CLAMP	4	610434-5-0031	BOLT 8* 8	8
123125-1-5030	GASKET, FUEL PUMP	12	159116-2-1231	CLAMP	8	610434-5-0031	BOLT 8* 8	22
123126-1-0631	SCREEN, INLET	12	177214-0-2830	WASHER	20	610444-5-6830	WASHER	22
123127-0-3930	CLIP, THROTTLE SHAFT	12	177227-4-2030	GUIDE, ROPE	18	699229-5-6830	PLATE, COVER	22
123130-0-2960	SCREW	12	177228-2-7030	GRIP, STARTER	18	890152-0-4930	LABEL, CAUTION	24
123133-0-4260	SPRING, IDLE ADJUST	12	177247-0-4630	SPACER, RATCHET	6	890160-4-2230	LABEL, CAUTION	24
123134-0-4260	SCREW, IDLE ADJUST	12	177272-1-0120	STOPPER	18	890617-4-3130	LABEL, CAUTION	24
123135-1-0630	SPRING, CHOKE FRICT.	12	178012-5-2630	LOCKOUT, THROTTLE	26	900220-0-4006	SCREW 4*6	22
123136-1-0630	BALL, CHOKE FRICTION	12	178013-5-2630	SPRING, THR. LOCK	26	900500-0-0005	NUT 5	24
123137-1-9830	VALVE, INLET NEEDLE	12	178043-4-2230	SPRING, THR. RETURN	26	900500-0-0005	NUT 5	26
123138-0-3930	PIN, METERING LEVER	12	178090-5-2632	LOCKOUT, T. CONTROL	26	900502-0-0006	NUT 6 (3N)	26
123139-0-3930	SCREW, M. LEVER PIN	12	178302-5-6630	LATCH ASSY	24	900516-0-0005	NUT, FRANGE 5	20
123140-2-7230	GASKET, M. DIAPHRAGM	12	300318-5-6330	HOOK	24	900562-0-0005	NUT, LOCK	22
123142-0-3930	COVER, M. DIAPHRAGM	12	300500-0-7131	ROPE, ELASTIC	28	900565-0-0005	NUT	22
123146-1-0631	PLUG, WELCH	12	300515-0-7130	PLATE, ROPE	24	900600-0-0005	WASHER 5	24
123149-5-4230	WASHER	12	437217-2-0760	PIPE 3* 6*100	10	900603-5-0008	WASHER	22

NUMERICAL PARTS INDEX

Part No	Part description	Page	Part No	Part description	Page	Part No	Part description	Page
900701-0-0012	CIRCLIP 12	8	A160-00-2631	COVER,CYLINDER	2	A429-00-0090	COVER,CAP	6
900701-0-0012	CIRCLIP 12	22	A160-00-2930	COVER,CYLINDER	2	A440-00-2760	SWITCH, ON OFF	26
900702-0-0028	CIRCLIP 28	8	A172-00-2600	COVER,FAN	18	A514-00-0280	PAWL	6
900702-0-0028	CIRCLIP 28	22	A200-00-0990	INSULATOR, INTAKE	10	A552-00-0450	HUB, CLUTCH	8
900702-0-0032	CIRCLIP 32	22	A202-00-0270	BELLOWS, INTAKE	10	A553-00-0170	ARM, CLUTCH	8
900720-0-0012	O-RING 12	22	A209-00-0720	PLATE, INSULATOR	10	A556-00-1730	DRUM, CLUTCH	8
900720-0-0018	O-RING 18	24	A209-00-0740	PLATE, INSULATOR	4	A557-00-0190	SHAFT, CLUTCH	8
900800-0-6001	BEARING, BALL 6001	22	A209-00-0840	PLATE, INSULATOR	10	A566-00-0230	SPRING, CLUTCH	8
900803-0-6001	BEARING, BALL 6001	22	A225-00-0690	CASE,CLEANER	10	A570-00-0340	CASE,CLUTCH	8
900804-0-6001	BEARING, BALL 6001ZZ	8	A226-00-0361	ELEMENT, AIR FILTER	10	C050-00-2960	PIPE,MAIN	24
900810-0-0629	BEARING, BALL 629	22	A226-00-1740	ELEMENT, AIR FILTER	10	C057-00-0300	FLEX SHAFT,ASM	24
900810-3-6202	BEARING, BALL 6202	4	A227-00-0040	PLATE, ELEMENT	10	C061-00-0700	HARNES,ASM BACKPACK	20
900812-0-6201	BEARING, BALL 6201	22	A244-00-0290	PLATE, PREVENT	10	C403-00-0140	GRIP, HANDLE	26
91316-04-010	SCREW	22	A248-00-0050	GUARD, LEVER	24	C450-00-0990	CONTROL, THROTTLE	26
92105-08-000	NUT, FLANGE	6	A300-00-1850	MUFFLER, EXHAUST	16	C483-00-0010	BOOT,CONNECTOR	24
94025-06-001	BEARING, BALL	8	A320-00-1000	COVER,MUFFLER	16	C487-00-0410	HOLDER, CABLE	10
94060-06-001	BEARING, BALL	8	A350-00-2310	TANK, FUEL	14	C504-00-1280	SHAFT, DRIVE	24
94063-06-001	BEARING, BALL	8	A365-00-0060	CONNECTOR,CAP	14	C506-00-0460	SHAFT,FLEXIBLE	24
A011-00-1350	CRANKSHAFT,ASY	2	A369-00-0001	STRAINER, FUEL	14	C508-00-0090	COVER,FLEX SHAFT	24
A021-00-4220	CARBURETOR, DIAPHRAGM	10	A409-00-1210	ROTOR, MAGNETO	6	C510-00-0290	COUPLING, MAIN PIPE	24
A021-00-4220	CARBURETOR, DIAPHRAGM	12	A411-00-1480	COIL, IGNITION	6	C510-00-0300	COUPLING, MAIN PIPE	24
A051-00-3170	STARTER,RECOIL ASY	18	A425-00-0000	SPARKPLUG	6	C525-00-0070	CAP,MAIN PIPE	28
A101-00-0690	RING, PISTON	2	A426-00-0010	TERMINAL, SPARKPLUG	6	C537-00-0000	BOOT,GEAR CASE	8
A130-00-2191	CYLINDER	2	A427-00-0060	CAP,SPARK PLUG	6	C550-00-0551	SHIELD,BLADE	22

NUMERICAL PARTS INDEX

Part No	Part description	Page	Part No	Part description	Page	Part No	Part description	Page
C550-00-0570	SHIELD, BLADE	22	P021-05-0640	TRIGGER HOLDER SET	26	V103-00-1620	GASKET, INTAKE	10
C552-00-0200	PLATE, SHIELD	22	P021-05-0650	BAND ASY	26	V104-00-2030	GASKET, EXHAUST	16
C554-00-0030	KNIFE, CORD	22	P021-05-0660	FRONT HANDLE ASY	24	V104-00-2170	GASKET, EXHAUST	16
C617-00-0770	STOPPER	20	P021-05-0810	SHIELD BLADE ASY	22	V137-00-0000	GROMMET, FUEL	14
C620-00-0490	FRAME, BACKPACK	20	P022-00-0710	EYELET	30	V186-00-0500	JOINT, PIPE	10
P003-00-0310	VALVE THROTTLE	12	P022-01-0370	SPRING	30	V186-00-0510	JOINT, PIPE	14
P003-00-1790	VALVE, CHOKE	12	P022-01-0380	NYLON CODE	30	V203-00-2300	BOLT, 5	24
P003-00-1850	DIAPHRAGM, METERING	12	P022-01-0400	BOBBIN	30	V253-00-0100	SCREW, 5	10
P003-00-2270	NEEDLE	12	P022-01-0410	COVER	30	V299-00-0620	KNOB, FASTENER	24
P003-00-2380	SCREW	12	P022-02-3110	SCREW	18	V304-00-0160	WASHER	24
P003-00-5020	SHAFT ASM THROTTLE	12	P022-02-3140	DRUM, STARTER	18	V308-00-0100	WASHER, CIRCULAR 11	2
P003-00-5120	SCREW	12	P022-02-3180	NUT	30	V357-00-0200	COLLAR	8
P003-00-5450	PUMP COVER ASY	12	P022-03-3830	CAM	18	V376-00-1980	SPACER	8
P003-00-5460	SWIVEL	12	P022-03-5000	HOUSING	30	V420-00-1790	CUSHION	20
P003-00-5470	SHAFT ASY, CHOKE	12	P022-03-7670	STOPPER, ROPE	18	V430-00-4930	CABLE, BOWDEN	26
P021-01-2210	CAP, FUEL ASY	14	P022-04-2440	STARTER CASE	18	V450-00-0330	SPRING, COMPRESSION	20
P021-04-1320	SHIELD ASY, BLADE	22	P022-04-2450	SPRING DAMPER	18	V452-00-1310	SPRING, TORSION	22
P021-04-1342	CASE, GEAR	22	P022-04-2460	SPRING SPIRAL	18	V452-00-1471	SPRING, TORSION	6
P021-04-7120	CRANK CASE SET	4	P022-04-2470	ROPE STARTER	18	V453-00-0230	SPRING, FLAT	8
P021-04-7380	CLEANER LID ASY	10	V000-00-0240	GEAR SET, BEVEL	8	V456-00-0340	HOLDER, SPRING	20
P021-05-0440	PISTON KIT	2	V100-00-0790	GASKET, CYL	2	V456-00-0350	HOLDER, SPRING	20
P021-05-0530	CLUTCH ASY	8	V102-00-0260	GASKET, CRANKCASE	4	V471-00-0550	PIPE	10
P021-05-0540	GEAR CASE ASY	8	V103-00-0500	GASKET, INTAKE	10	V471-00-0740	PIPE	4
P021-05-0630	MAIN PIPE ASY	24	V103-00-1610	GASKET, INTAKE	10	V471-00-1300	PIPE	10

NUMERICAL PARTS INDEX

Part No	Part description	Page	Part No	Part description	Page	Part No	Part description	Page
V471-00-2170	PIPE	14	V805-00-0150	BOLT, TORX 5	6	V855-00-0000	BOLT, TORX 5	10
V471-00-3161	PIPE	18	V805-00-0150	BOLT, TORX 5	20	X047-00-1180	CUTTER,ASM LINE	28
V475-00-7540	TUBE	6	V805-00-0150	BOLT, TORX 5	22	X047-00-1180	CUTTER,ASM LINE	30
V475-00-7550	TUBE	6	V805-00-0150	BOLT, TORX 5	26	X503-01-3650	LABEL,MODEL	2
V475-00-8080	TUBE	4	V805-00-0160	BOLT, TORX 5	8	X547-00-2860	LABEL,ECHO	2
V475-00-8080	TUBE	6	V805-00-0160	BOLT, TORX 5	24	X602-00-0020	TOOL,WRENCH	28
V475-00-8800	TUBE	26	V805-00-0170	BOLT, TORX 5	22	X605-00-0170	TOOL,L WRENCH	28
V485-00-2331	LEAD	6	V805-00-0170	BOLT, TORX 5	26	X606-00-0080	TOOL,BAR	28
V485-00-2570	LEAD	6	V805-00-0180	BOLT, TORX 5	4	X690-00-0080	GOGGLE	28
V490-00-0510	CLIP	10	V805-00-0210	BOLT, TORX 5	2	X698-00-0140	TOOL,CASE	20
V490-00-1240	CLIP	14	V805-00-0220	BOLT, TORX 5	8			
V541-00-0540	SEAL	16	V805-00-0260	BOLT, TORX 5	16			
V556-00-0000	BEARING,NEEDLE 11	2	V805-00-0260	BOLT, TORX 5	22			
V609-00-0000	PIN,ENG 11	2	V805-00-0260	BOLT, TORX 5	26			
V804-00-0030	BOLT, TORX 4	16	V805-00-0300	BOLT, TORX 5	16			
V804-00-0040	BOLT, TORX 4	8	V805-00-0320	BOLT, TORX 5	8			
V805-00-0000	BOLT, TORX 5	20	V805-00-0330	BOLT, TORX 5	10			
V805-00-0050	BOLT, TORX 5	24	V806-00-0020	BOLT, TORX 6	24			
V805-00-0060	BOLT, TORX 5	24	V806-00-0050	BOLT, TORX 6	16			
V805-00-0060	BOLT, TORX 5	26	V806-00-0100	BOLT, TORX 6	22			
V805-00-0130	BOLT, TORX 5	22	V835-00-0000	BOLT, TORX 5	2			
V805-00-0140	BOLT, TORX 5	6	V835-00-0000	BOLT, TORX 5	4			
V805-00-0140	BOLT, TORX 5	8	V835-00-0010	BOLT, TORX 5	10			
V805-00-0140	BOLT, TORX 5	20	V835-00-0030	BOLT, TORX 5	18			