

**CS-4510ES\_Y38L**

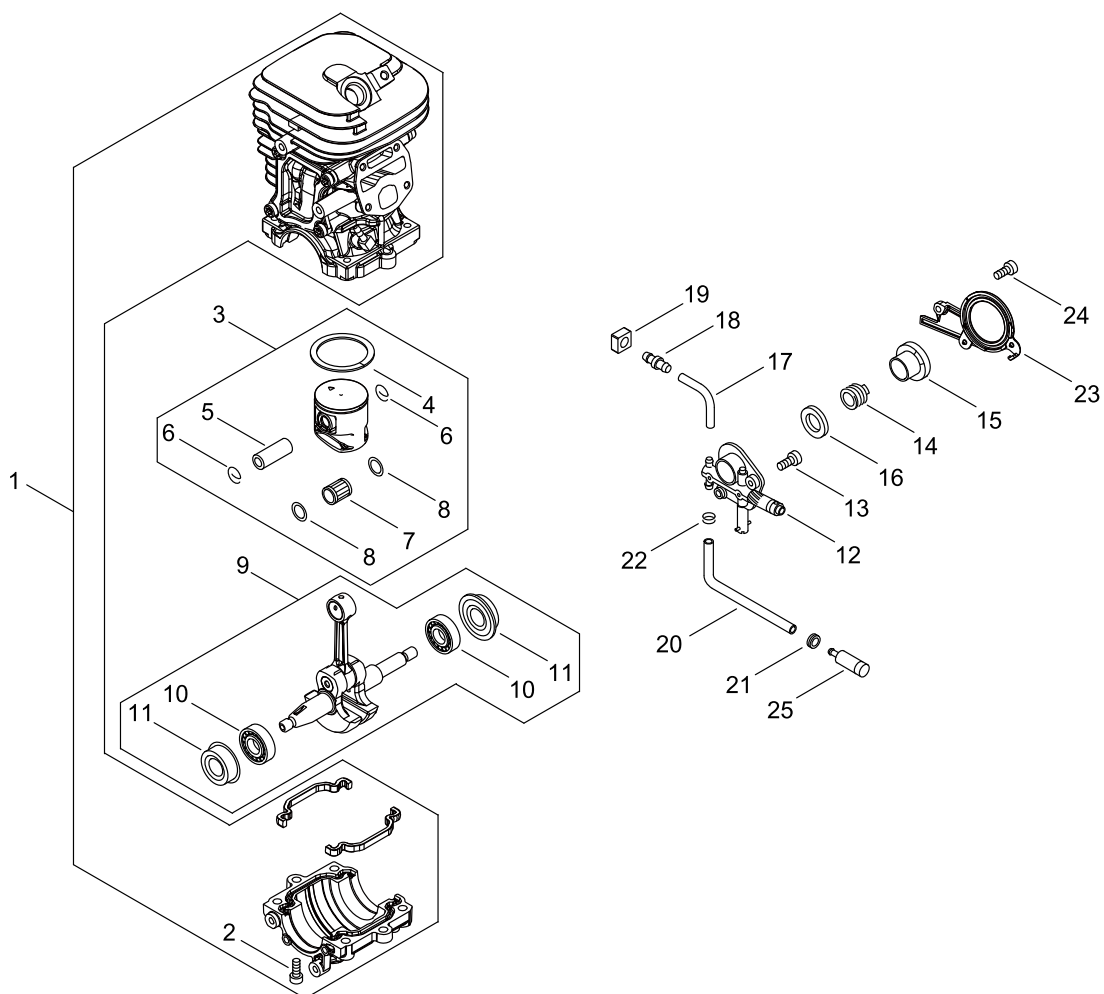
**Published:12/07/2017**

## TABLE OF CONTENTS

---

CYLINDER, PISTON, CRANKSHAFT.....	1
ENGINE COVER.....	3
MAGNETO.....	5
AIR CLEANER, CARBURETOR.....	7
CARBURETOR.....	9
MUFFLER.....	11
RECOIL STARTER.....	13
HANDLE.....	15
CHAIN BRAKE.....	17
ACCESSORIES.....	19
OILER.....	21
GUIDE BAR, CHAIN.....	23
OPTION PARTS.....	25

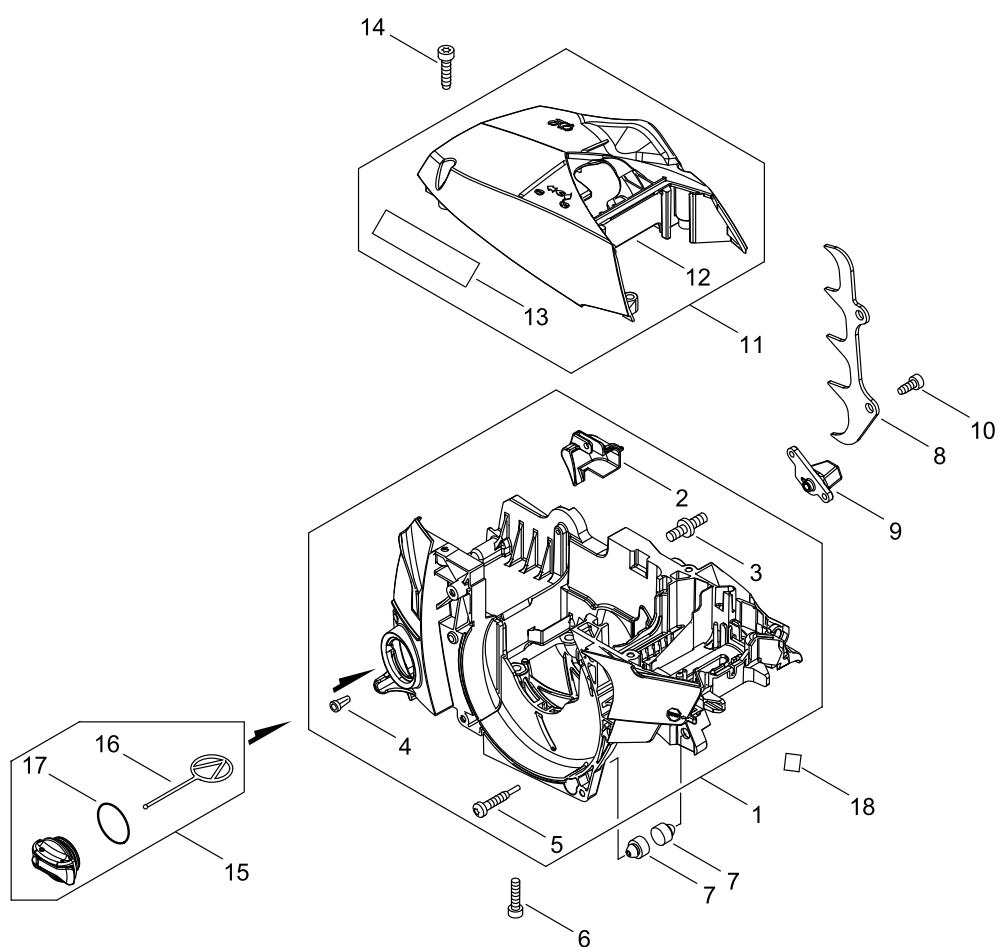
# CYLINDER, PISTON, CRANKSHAFT



## CYLINDER, PISTON, CRANKSHAFT

KEY NO	LV(+)	Part No	Description	Qty	Standard	Comment
1		P100-004570	CRANKCASE SET	1		
2	+	V805-000250	BOLT, TORX 5	2	TB-5*16 12.9	
3		P100-004580	PISTON KIT	1		
4	+	A101-000710	RING, PISTON	1	Φ 43*1.5*1.8	
5	+	100013-39730	PIN, PISTON	1		
6	+	V580-000010	RING,END	2	10	
7	+	V555-000140	BEARING,NEEDLE	1		
8	+	100014-17330	SPACER, PISTON PIN	2		
9		P100-004590	CRANKSHAFT ASY	1		
10	+	900810-36202	BEARING, BALL 6202	2	6202/C3	
11	+	V508-000110	SEAL,OIL 15	2		
12		C022-000010	OILER,ASM AUTO	1		
13		V805-000140	BOLT, TORX 5	2	TB-5*12 10.9	
14		V652-000030	GEAR,WORM	1		
15		V356-000390	COLLAR,10	1		
16		V308-000030	WASHER,CIRCULAR 11	1	10.5*17.4*1.8	
17		V471-005190	PIPE	1	3*6*49	
18		V187-000010	NIPPLE	1		
19		A203-000090	SEAL	1		
20		V471-005200	PIPE	1	3*6*200	
21		132115-01461	GROMMET	1		
22		V490-001230	CLIP	1		
23		C236-000160	COVER,OILER	1		
24		V804-000000	BOLT, TORX 4	1	TT-4*12 DG 10.9	
25		P100-001900	STRAINER, OIL	1		

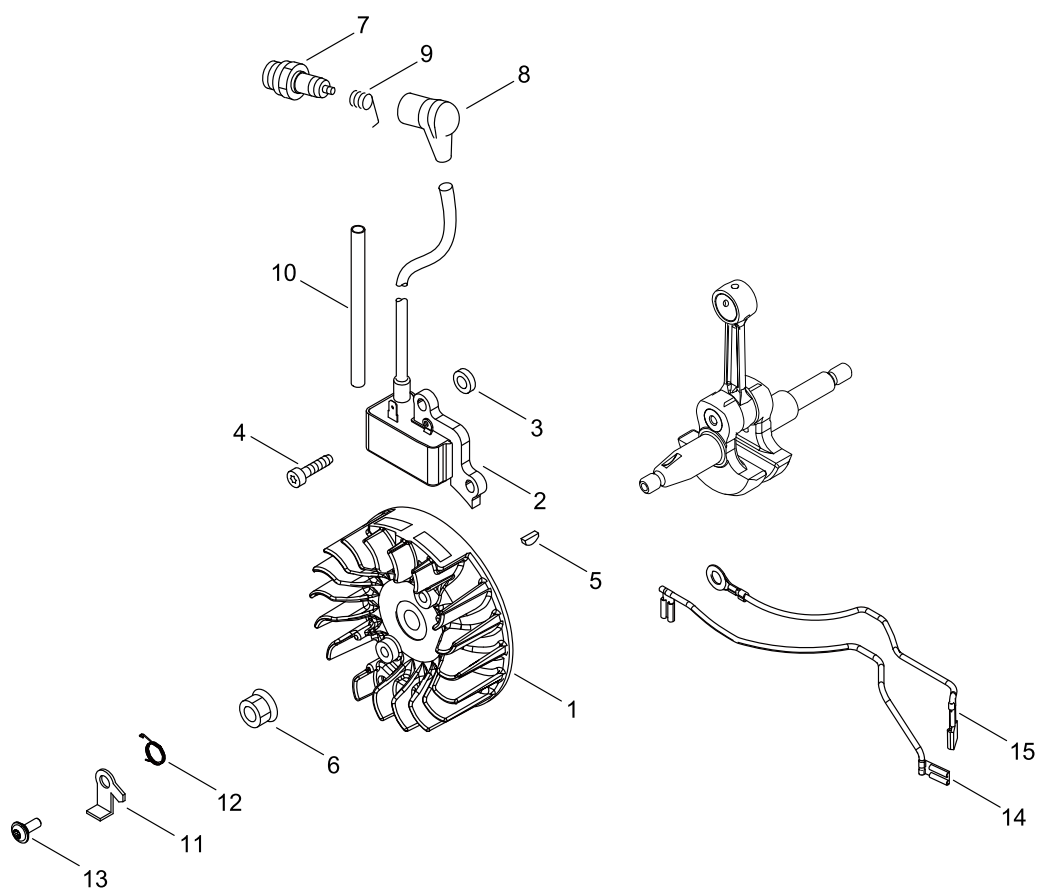
## ENGINE COVER



## ENGINE COVER

KEY NO	LV(+)	Part No	Description	Qty	Standard	Comment
1		P100-004600	COVER ENGINE ASY	1		
2	+	A161-000370	DUCT, AIR	1		
3	+	V225-000370	BOLT,STUD 8	2	M8	
4	+	436114-13930	VALVE, CHECK	1		
5	+	V203-002380	BOLT,5	1	STOPPER BOLT	
6		V805-000270	BOLT, TORX 5	4	TB-5*40 12.9	
7		V420-001790	CUSHION	2		
8		C304-000320	SPIKED	1		
9		C310-000150	CATCHER, CHAIN	1		
10		V805-000010	BOLT, TORX 5	3	TT-5*20 DG 10.9	
11		A160-003360	COVER,CYLINDER	1	LABEL	
12	+	A160-003430	COVER,CYLINDER	1		
13	+	X502-001060	LABEL,ECHO	1		
14		V805-000010	BOLT, TORX 5	3	TT-5*20 DG 10.9	
15		P100-004610	CAP,OIL ASY	1		
16	+	A365-000050	CONNECTOR,CAP	1		
17	+	900720-20029	O-RING 29	1	P-29	
18		X510-001050	LABEL,SWITCH	1		

## MAGNETO

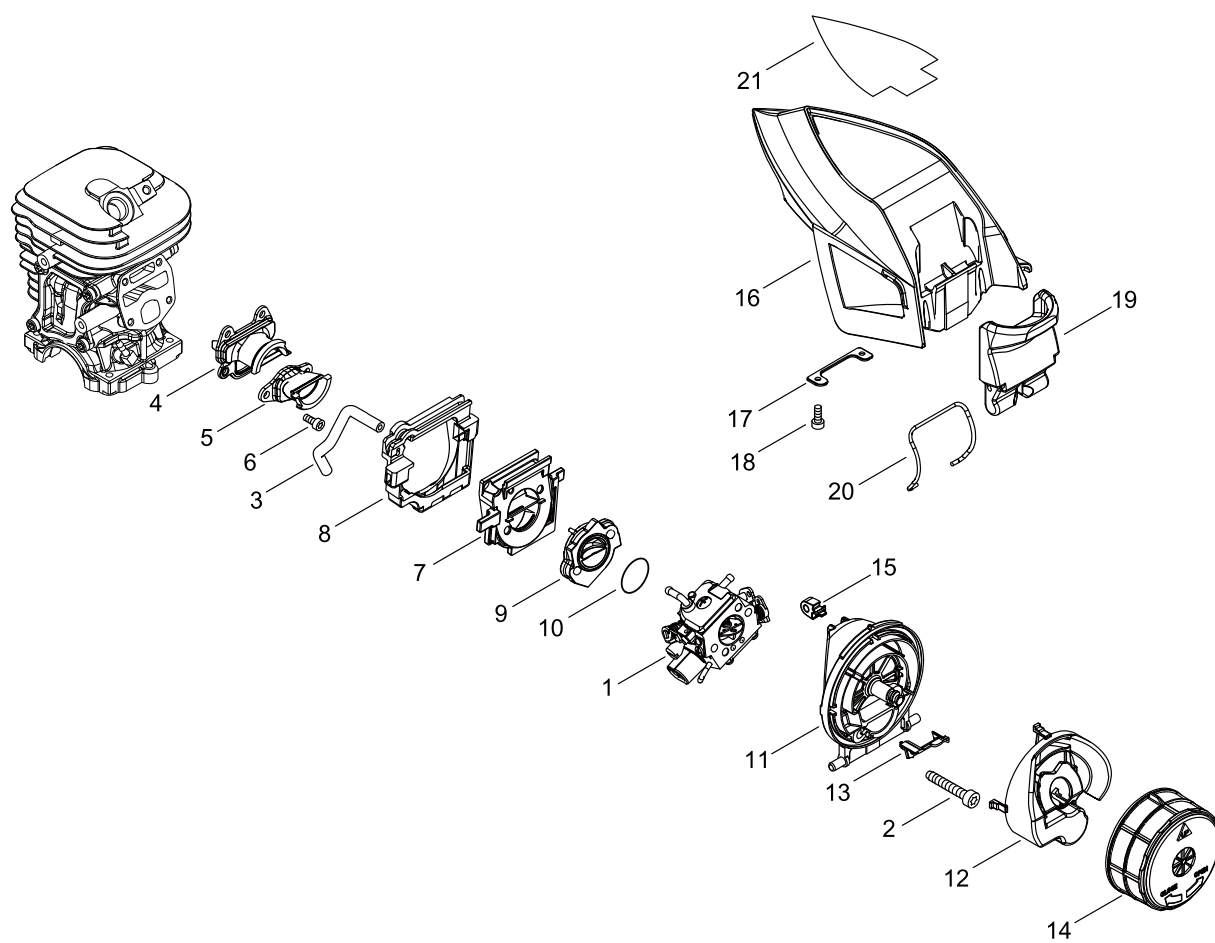


## MAGNETO

KEY NO	LV(+)	Part No	Description	Qty	Standard	Comment
1		A409-001330	ROTOR, MAGNETO	1	ID#*****	
2		A411-001740	COIL, IGNITION	1	ID#*****	
3		150117-16430	SPACER	2		
4		V805-000210	BOLT, TORX 5	2	TB-5*20 12.9	
5		100142-12330	KEY, WOODRUFF	1		
6		900515-00008	NUT, FLANGE 8	1	8	
7		A425-000000	SPARKPLUG	1	BPMR8Y	
8		A427-000190	CAP,SPARK PLUG	1		
9		A426-000010	TERMINAL,SPARKPLUG	1		
10		V475-009180	TUBE	1	SSG-1 6*7.2*100	
11		A514-000050	PAWL	2		
12		177234-35430	SPRING, RETURN	2		
13		V203-002250	BOLT,5	2		
14		V485-002960	LEAD	1	L155	
15		V485-002970	LEAD	1	L153	



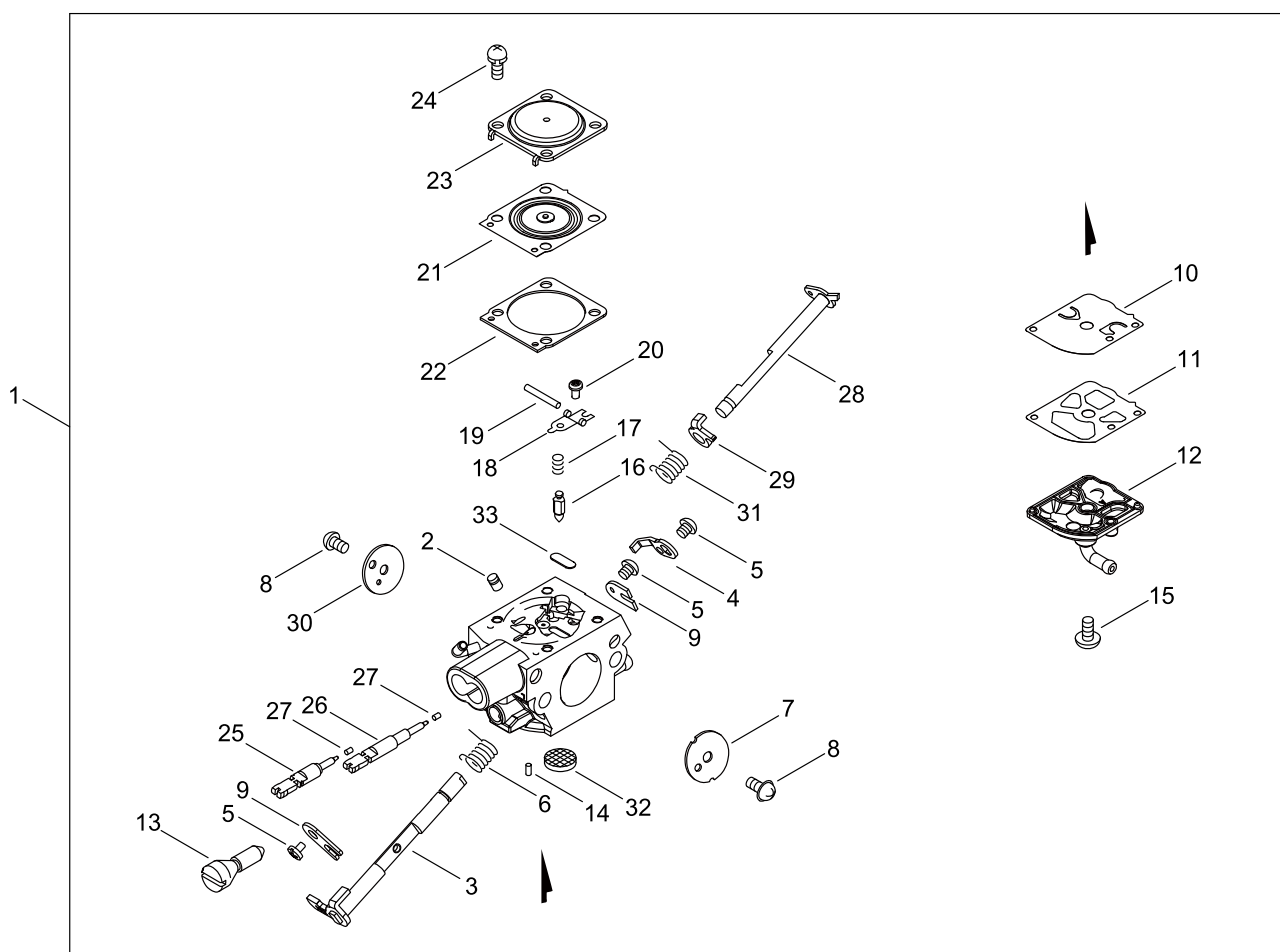
## AIR CLEANER, CARBURETOR



## AIR CLEANER, CARBURETOR

KEY NO	LV(+)	Part No	Description	Qty	Standard	Comment
1		A021-004810	CARBURETOR, DIAPHRAGM	1		
2		V805-000040	BOLT, TORX 5	2	TT-5*55 DG 10.9	
3		V471-000760	PIPE	1		
4		A202-000310	BELLOWS, INTAKE	1	AIR SIDE	
5		A202-000320	BELLOWS, INTAKE	1	MIX SIDE	
6		V804-000050	BOLT, TORX 4	4	TB-4*12 10.9	
7		A200-001150	INSULATOR, INTAKE	1	CYLINDER SIDE	
8		V420-005250	CUSHION	1	FOR IN- INSULATOR	
9		A200-001160	INSULATOR, INTAKE	1	CARB SIDE	
10		900724-00022	O-RING S-22	1	S-22	
11		A225-000730	CASE,CLEANER	1		
12		A161-000350	DUCT, AIR	1	BIG	
13		A161-000360	DUCT, AIR	1	SMALL	
14		A226-002150	ELEMENT, AIR FILTER	1		
15		V420-005260	CUSHION	1	FOR CLEANERCASE	
16		A232-001940	LID,CLEANER	1		
17		V453-000260	SPRING,FLAT	1	T1.5 1/2H	
18		V804-000000	BOLT, TORX 4	2	TT-4*12 DG 10.9	
19		A235-000440	KNOB,CLEANER LID	1		
20		V582-000280	RING,SNAP	1		
21		X503-014630	LABEL,MODEL	1	CS-4510ES	

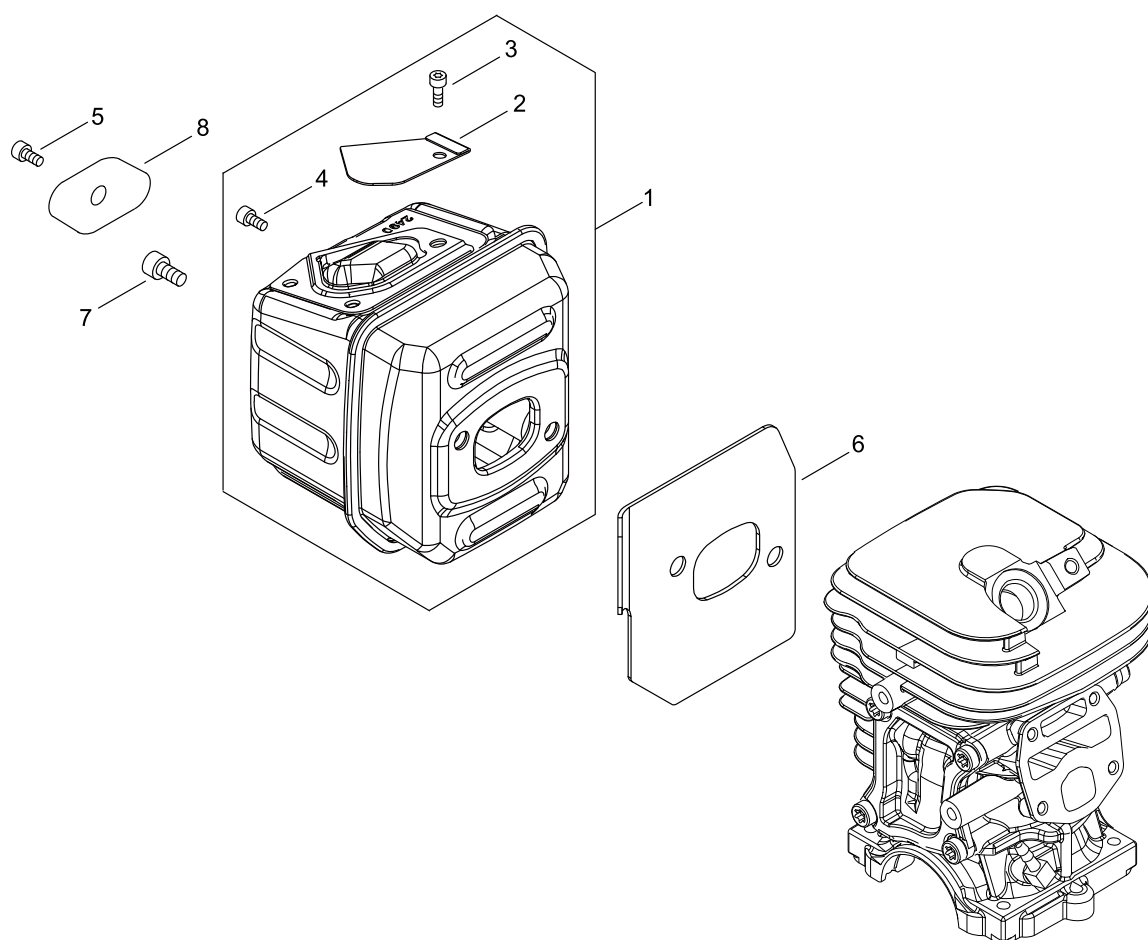
# CARBURETOR



## CARBURETOR

KEY NO	LV(+)	Part No	Description	Qty	Standard	Comment
1		A021-004810	CARBURETOR, DIAPHRAGM	1		
2	+	P005-004060	NOZZLE, CHECK VALVE	1		
3	+	P005-004070	SHAFT ASY, THROTTLE	1		
4	+	P005-004080	LEVER, THROTTLE	1		
5	+	125348-13930	SCREW	3		
6	+	P005-004090	SPRING, RETURN	1		
7	+	P005-004100	VALVE, THROTTLE	1		
8	+	125314-51230	SCREW	2	3*4.5	
9	+	P005-003820	RETAINER, SHAFT	2		
10	+	P005-001110	DIAPHRAGM, PUMP	1		
11	+	125325-08360	GASKET, PUMP	1		
12	+	P005-004110	COVER, PUMP	1		
13	+	P005-004120	SCREW, THROTTLEADJUST	1		
14	+	125378-13930	PIECE, FRICTION	1		
15	+	125310-13930	SCREW	1		
16	+	P005-004030	VALVE, INLET NEEDLE	1		
17	+	125322-13930	SPRING, COIL	1		
18	+	125323-08260	ARM, VALVE	1		
19	+	125338-13930	PIN, METERING ARM	1		
20	+	P005-004130	SCREW	1		
21	+	P005-003190	DIAPHRAGM ,METERING	1		
22	+	P005-003200	GASKET, METERING	1		
23	+	P005-003210	COVER, METERING	1		
24	+	P005-003840	SCREW	4		
25	+	P005-004160	SCREW, MAIN MIXTURE	1		
26	+	P005-004170	SCREW, IDLE MIXTURE	1		
27	+	125363-12820	RETAINER	2		
28	+	P005-004180	SHAFT, CHOKE ASY	1		
29	+	P005-004190	LEVER, CHOKE	1		
30	+	P005-004200	VALVE, CHOKE	1		
31	+	P005-004210	SPRING, RETURN	1		
32	+	P005-000860	SCREEN, FUEL INLET	1		
33	+	P005-000410	PLUG, WELCH	1		

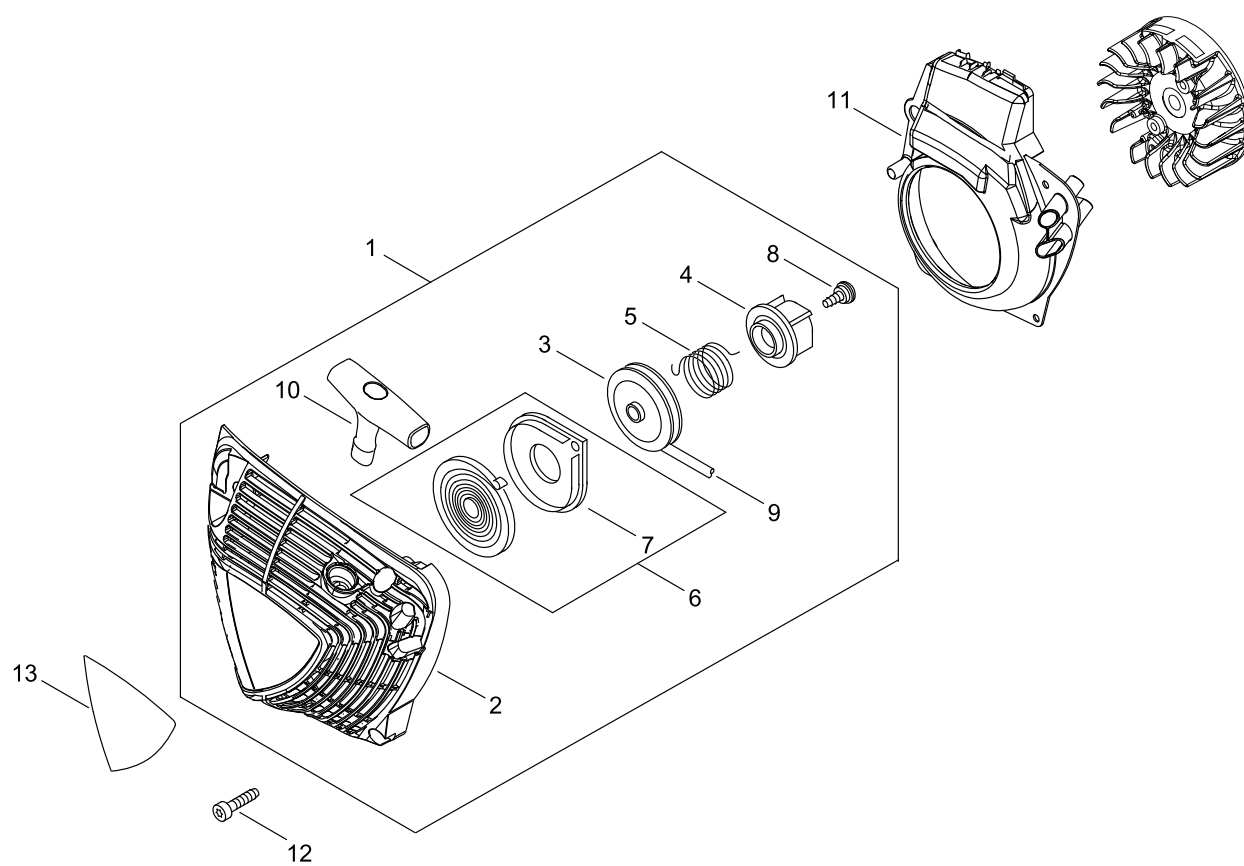
## MUFFLER



## MUFFLER

KEY NO	LV(+)	Part No	Description	Qty	Standard	Comment
1		P100-004620	MUFFLER ASY	1		
2	+	A310-000500	SCREEN, ARRESTOR	1		
3	+	V804-000030	BOLT, TORX 4	1	TB-4*8 10.9	
4	+	V804-000030	BOLT, TORX 4	1	TB-4*8 10.9	
5		V804-000030	BOLT, TORX 4	1	TB-4*8 10.9	
6		V104-002340	GASKET,EXHAUST	1	T:1.0	
7		V805-000250	BOLT, TORX 5	2	TB-5*16 12.9	
8		145711-60631	STAY, MUFFLER	1		

## RECOIL STARTER

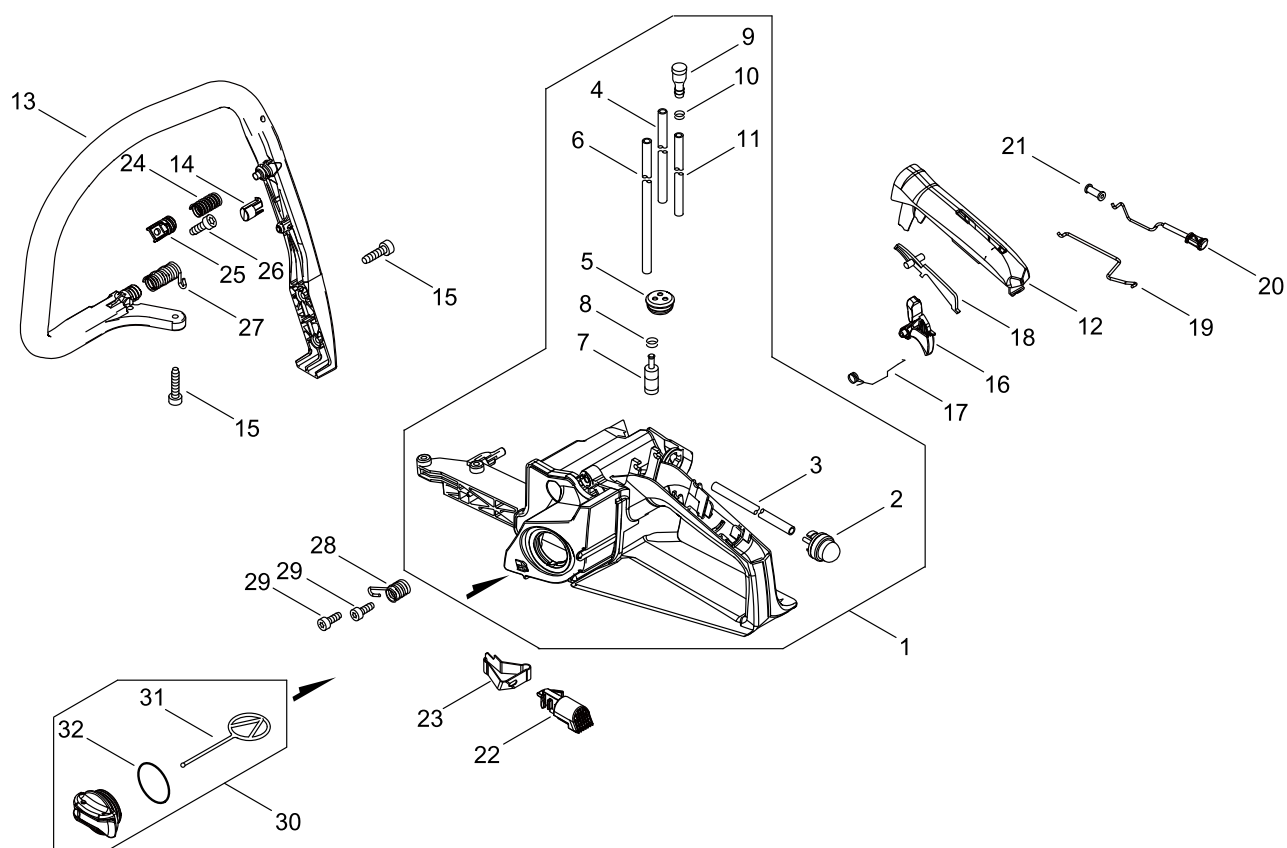


## RECOIL STARTER

KEY NO	LV(+)	Part No	Description	Qty	Standard	Comment
1		A051-003300	STARTER,RECOIL ASY	1	SI	
2	+	P022-050400	STARTER CASE	1		
3	+	P022-050410	DRUM, STARTER	1		
4	+	P022-050430	PLATE, CAM	1		
5	+	P022-050420	SPRING,DAMPER	1		
6	+	P022-001330	SPRING KIT, REWIND	1		
7	++	P022-033280	SPRING CASE	1		
8	+	177236-61830	SCREW	1		
9	+	P022-050440	ROPE, STARTER	1		
10	+	P022-050450	GRIP, STARTER	1		
11		A172-003290	COVER,FAN	1		
12		V805-000010	BOLT, TORX 5	3	TT-5*20 DG 10.9	
13		X503-014430	LABEL,MODEL	1	CS-4510ES	



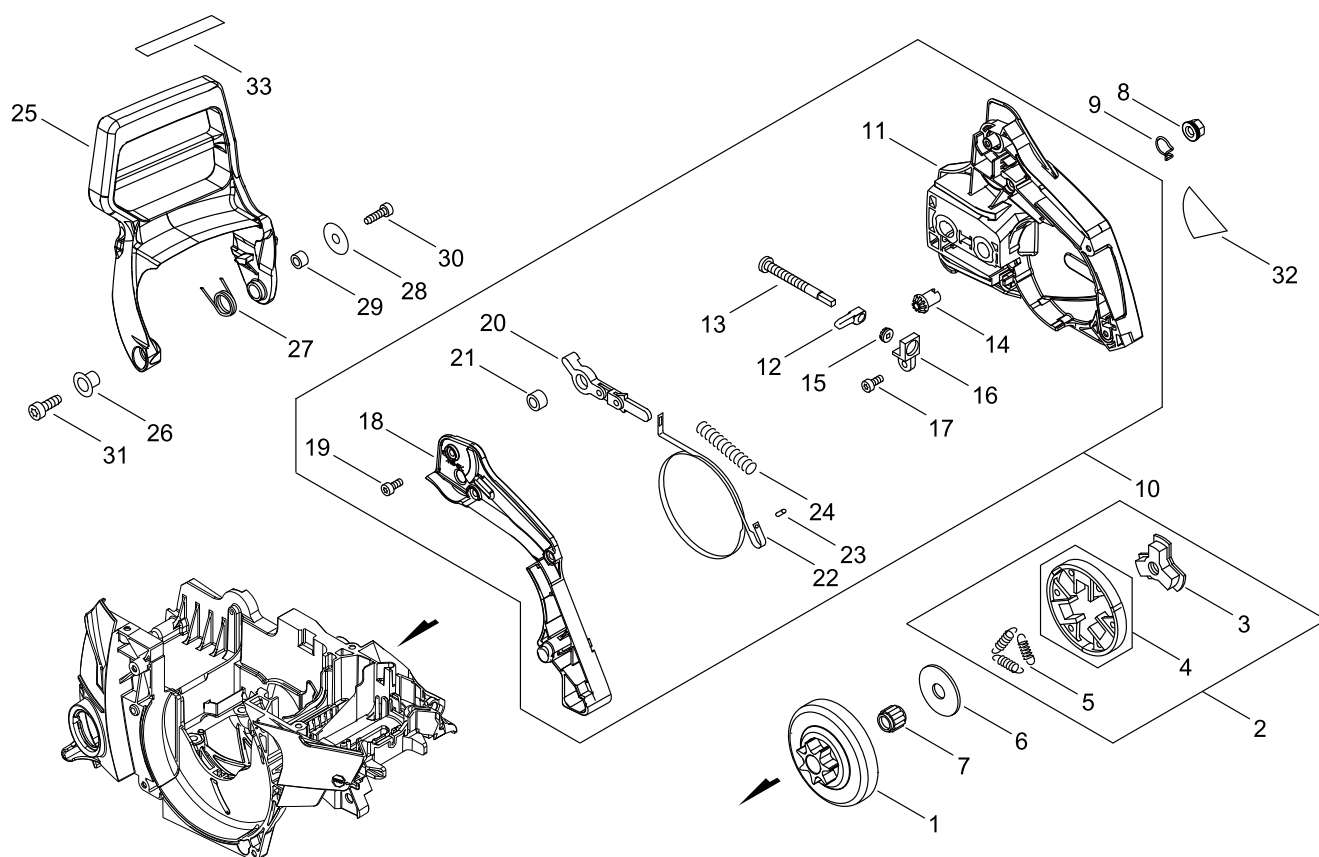
# HANDLE



## HANDLE

KEY NO	LV(+)	Part No	Description	Qty	Standard	Comment
1		P100-004630	REAR HANDLE ASY	1		
2	+	123181-39130	PUMP, PRIMER	1		
3	+	V471-005210	PIPE	1	2.4*5*165	
4	+	V471-001290	PIPE	1	2.4*5*75	
5	+	132115-55930	GROMMET, FUEL	1		
6	+	V471-005180	PIPE	1	3*5*300	
7	+	A369-000420	STRAINER, FUEL	1	ES-16499	
8	+	V490-001240	CLIP	1		
9	+	131300-56431	VENT ASSEMBLY, FUEL	1		
10	+	V490-001230	CLIP	1		
11	+	V471-005190	PIPE	1	3*6*49	
12		C411-000230	LID,HANDLE	1		
13		C400-001630	HANDLE, FRONT	1	GAI	
14		V420-005270	CUSHION	1	FOR FRONT HANDLE	
15		V805-000010	BOLT, TORX 5	4	TT-5*20 DG 10.9	
16		C450-001040	CONTROL, THROTTLE	1		
17		V452-000260	SPRING,TORSION	1		
18		178090-37930	LOCKOUT, T. CONTROL	1		
19		C454-000570	ROD, THROTTLE	1		
20		A241-000370	KNOB, CHOKE	1		
21		178810-14534	GROMMET	1		
22		A444-000120	KNOB, SWITCH	1		
23		V486-000540	TERMINAL,LEAD	1		
24		V450-002200	SPRING,COMPRESSION	1	CENTER	
25		V456-000240	HOLDER,SPRING	1		
26		V805-000140	BOLT, TORX 5	1	TB-5*12 10.9	
27		V450-002180	SPRING,COMPRESSION	1	FRONT	
28		V450-002190	SPRING,COMPRESSION	1	REAR TYPE2-A	
29		V805-000240	BOLT, TORX 5	2	TT-5*12 DG 10.9	
30		P100-004640	CAP,FUEL ASY	1		
31	+	A365-000050	CONNECTOR,CAP	1		
32	+	900720-20029	O-RING 29	1	P-29	

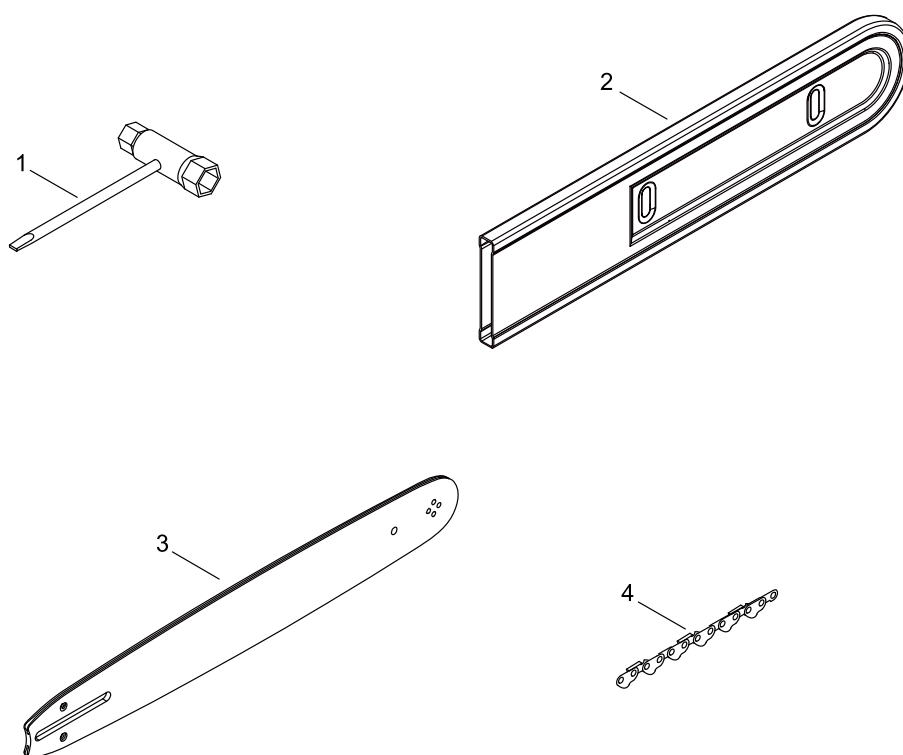
## CHAIN BRAKE



## CHAIN BRAKE

KEY NO	LV(+)	Part No	Description	Qty	Standard	Comment
1		A556-000481	DRUM, CLUTCH	1		
2		A056-000840	CLUTCH ASY	1		
3	+	A552-000470	HUB, CLUTCH	1		
4	+	P021-007051	CLUTCH SHOE SET	1		
5	+	V451-000500	SPRING,TENSION	3		
6		175019-39430	PLATE, CLUTCH	1		
7		V555-000170	BEARING,NEEDLE 10	1	8E- KV10*13*12.8	
8		V265-000550	NUT,8	2		
9		C649-000420	HOOK	2		
10		P100-004651	GUARD, SPROCKET ASY	1		
11	+	C300-001161	GUARD, SPROCKET	1		
12	+	C309-000070	TENSIONER, CHAIN	1		
13	+	V203-000110	BOLT,5	1		
14	+	V651-001040	GEAR,BEVEL	1		
15	+	V651-001050	GEAR,BEVEL	1		
16	+	V355-000140	COLLAR,8	1		
17	+	V804-000010	BOLT, TORX 4	1	TT-4*16 DG 10.9	
18	+	C345-000650	COVER,BRAKE	1		
19	+	V804-000010	BOLT, TORX 4	4	TT-4*16 DG 10.9	
20	+	C334-000100	CONNECTOR, BRAKE	1		
21	+	433116-35430	SPACER 8	1	8*12*9	
22	+	C328-000110	BAND, BRAKE	1		
23	+	900330-30120	PIN	1	3*12	
24	+	V450-000070	SPRING,COMPRESSION	1		
25		C320-000530	LEVER, BRAKE	1		
26		V356-000430	COLLAR,10	1		
27		V452-001281	SPRING,TORSION	1		
28		177214-03930	WASHER	1		
29		433116-35430	SPACER 8	1	8*12*9	
30		V804-000010	BOLT, TORX 4	1	TT-4*16 DG 10.9	
31		V805-000010	BOLT, TORX 5	1	TT-5*20 DG 10.9	
32		X502-001050	LABEL,ECHO	1	D SIDE	
33		X505-010150	LABEL,CAUTION	1	CE CAUTION	

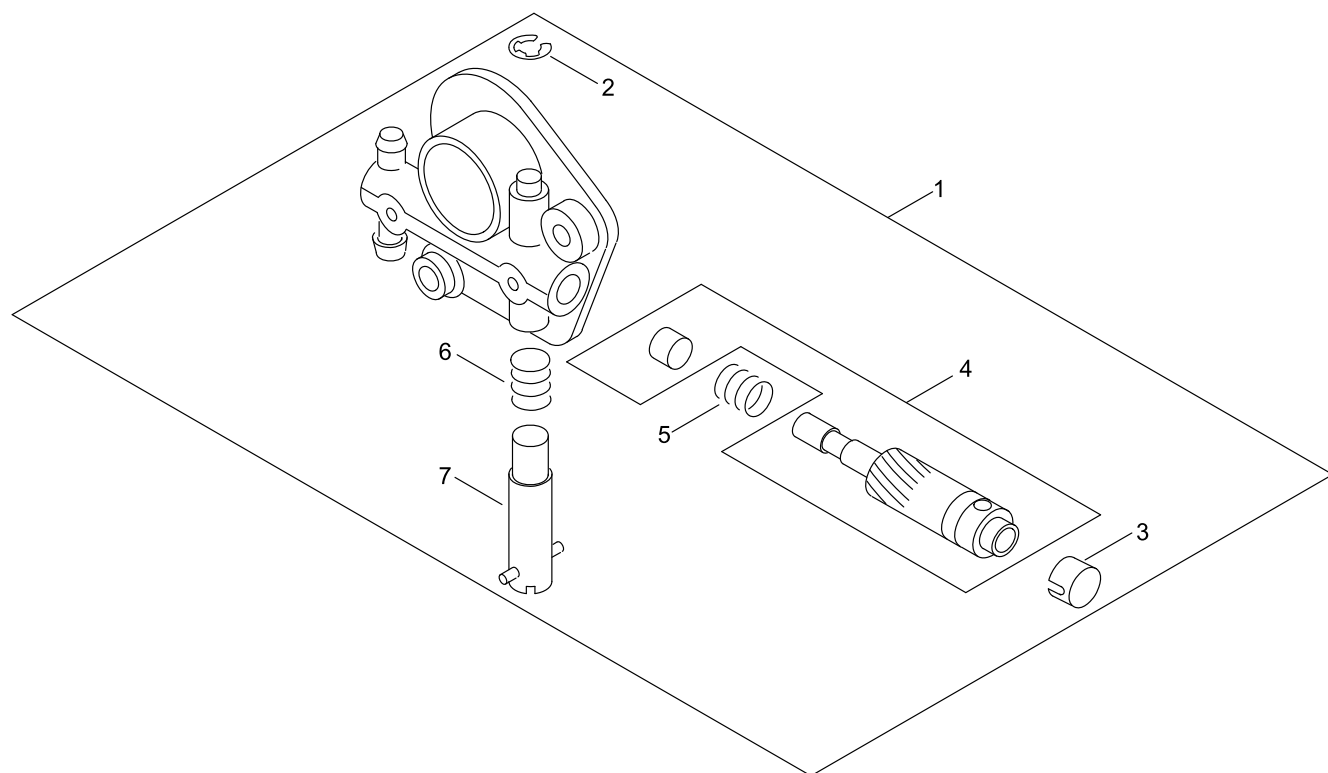
## ACCESSORIES



## ACCESSORIES

KEY NO	LV(+)	Part No	Description	Qty	Standard	Comment
1		X602-000080	TOOL,WRENCH	1	13*19 L180	
2		X490-000490	SCABBARD,CHAIN	1		
3		X123-000620	BAR,GUIDE 35	1	Y38S21-64ML- ED	
4		431721-30231	CHAIN, SAW	1	21BPX-64E	

## OILER


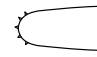


## OILER

KEY NO	LV(+)	Part No	Description	Qty	Standard	Comment
1		C022-000010	OILER,ASM AUTO	1		
2	+	125327-15130	CLIP	1		
3	+	P022-010640	CAP, OIL PUMP	1		
4	+	P022-010650	PLUNGER	1		
5	+	P022-010660	SPRING	1		
6	+	P022-010670	SPRING	1		
7	+	P022-010680	SCREW ASS'Y, ADJUST	1		



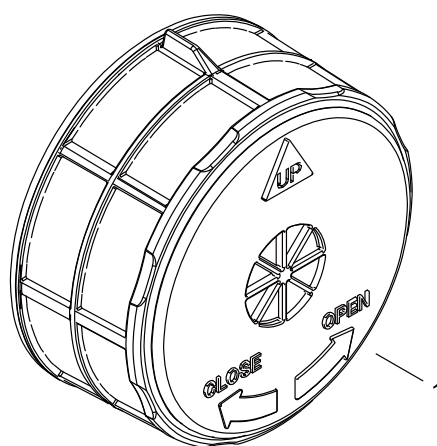
## GUIDE BAR, CHAIN

Pitch ピッチ  (inch) (mm)	Gauge ゲージ  (inch) (mm)	Length 長さ  (cm)	Guide Bar ガイドバー		Saw Chain ソーチェン		Hard Nose  ハード ノーズ  	Sprocket Nose  スプロケット ノーズ  
			Key №	Type 形式	Key №	Type 形式		
.325 8.26	0.058 1.47	33	A1	Y33S21-56ML- ED	A2	21BPX-56E		●
.325 8.26	0.058 1.47	38	B1	Y38S21-64ML- ED	B2	21BPX-64E		●
.325 8.26	0.058 1.47	45	C1	Y45S21-72ML- ED	C2	21BPX-72E		●
.325 8.26	0.058 1.47	50	D1	Y50S21-80AL- ED	D2	21BPX-80E		●
.325 8.26	0.058 1.47	38	E1	Y38R21-64AA- ET	E2	21BPX-64E	●	
.325 8.26	0.058 1.47	45	F1	Y45R21-72AA- ET	F2	21BPX-72E	●	
.325 8.26	0.058 1.47	50	G1	Y50R21-80AA- ET	G2	21BPX-80E	●	

## GUIDE BAR, CHAIN

KEY NO	LV(+)	Part No	Description	Qty	Standard	Comment
A1		X122-000390	BAR,GUIDE 30	1	Y33S21-56ML-ED	
A2		431713-30231	CHAIN, SAW 21BPX-56E	1	21BPX-56E	
B1		X123-000620	BAR,GUIDE 35	1	Y38S21-64ML-ED	
B2		431721-30231	CHAIN, SAW	1	21BPX-64E	
C1		X125-000390	BAR,GUIDE 45	1	Y45S21-72ML-ED	
C2		431717-30231	CHAIN, SAW	1	21BPX-72E	
D1		X126-000300	BAR,GUIDE 50	1	Y50S21-80AL-ED	
D2		431712-30231	CHAIN, SAW	1	21BPX-80E	
E1		X123-000650	BAR,GUIDE 35	1	Y38R21-64AA-ET	
E2		431721-30231	CHAIN, SAW	1	21BPX-64E	
F1		X125-000420	BAR,GUIDE 45	1	Y45R21-72AA-ET	
F2		431717-30231	CHAIN, SAW	1	21BPX-72E	
G1		X126-000320	BAR,GUIDE 50	1	Y50R21-80AA-ET	
G2		431712-30231	CHAIN, SAW	1	21BPX-80E	

# OPTION PARTS



## OPTION PARTS

KEY NO	LV(+)	Part No	Description	Qty	Standard	Comment
1		A226-002190	ELEMENT, AIR FILTER	1	OUT/IN:#300/ #80	

# NUMERICAL PARTS INDEX

Part No	Part description	Page	Part No	Part description	Page	Part No	Part description	Page
100013-39730	PIN, PISTON	2	A160-003430	COVER,CYLINDER	4	P005-000410	PLUG, WELCH	10
100014-17330	SPACER, PISTON PIN	2	A161-000350	DUCT, AIR	8	P005-000860	SCREEN, FUEL INLET	10
100142-12330	KEY, WOODRUFF	6	A161-000360	DUCT, AIR	8	P005-001110	DIAPHRAGM, PUMP	10
123181-39130	PUMP, PRIMER	16	A161-000370	DUCT, AIR	4	P005-003190	DIAPHRAGM ,METERING	10
125310-13930	SCREW	10	A172-003290	COVER,FAN	14	P005-003200	GASKET, METERING	10
125314-51230	SCREW	10	A200-001150	INSULATOR, INTAKE	8	P005-003210	COVER, METERING	10
125322-13930	SPRING, COIL	10	A200-001160	INSULATOR, INTAKE	8	P005-003820	RETAINER, SHAFT	10
125323-08260	ARM, VALVE	10	A202-000310	BELLOWS, INTAKE	8	P005-003840	SCREW	10
125325-08360	GASKET, PUMP	10	A202-000320	BELLOWS, INTAKE	8	P005-004030	VALVE, INLET NEEDLE	10
125327-15130	CLIP	22	A203-000090	SEAL	2	P005-004060	NOZZLE, CHECK VALVE	10
125338-13930	PIN, METERING ARM	10	A225-000730	CASE,CLEANER	8	P005-004070	SHAFT ASY,THROTTLE	10
125348-13930	SCREW	10	A226-002150	ELEMENT, AIR FILTER	8	P005-004080	LEVER, THROTTLE	10
125363-12820	RETAINER	10	A226-002190	ELEMENT, AIR FILTER	26	P005-004090	SPRING, RETURN	10
125378-13930	PIECE, FRICTION	10	A232-001940	LID,CLEANER	8	P005-004100	VALVE, THROTTLE	10
131300-56431	VENT ASSEMBLY, FUEL	16	A235-000440	KNOB,CLEANER LID	8	P005-004110	COVER, PUMP	10
132115-01461	GROMMET	2	A241-000370	KNOB, CHOKE	16	P005-004120	SCREW, THROTTLEADJUST	10
132115-55930	GROMMET, FUEL	16	A310-000500	SCREEN, ARRESTOR	12	P005-004130	SCREW	10
145711-60631	STAY, MUFFLER	12	A365-000050	CONNECTOR,CAP	4	P005-004160	SCREW,MAIN MIXTURE	10
150117-16430	SPACER	6	A365-000050	CONNECTOR,CAP	16	P005-004170	SCREW,IDLE MIXTURE	10
175019-39430	PLATE, CLUTCH	18	A369-000420	STRAINER, FUEL	16	P005-004180	SHAFT, CHOKE ASY	10
177214-03930	WASHER	18	A409-001330	ROTOR, MAGNETO	6	P005-004190	LEVER, CHOKE	10
177234-35430	SPRING, RETURN	6	A411-001740	COIL, IGNITION	6	P005-004200	VALVE, CHOKE	10
177236-61830	SCREW	14	A425-000000	SPARKPLUG	6	P005-004210	SPRING, RETURN	10
178090-37930	LOCKOUT, T. CONTROL	16	A426-000010	TERMINAL,SPARKPLUG	6	P021-007051	CLUTCH SHOE SET	18
178810-14534	GROMMET	16	A427-000190	CAP,SPARK PLUG	6	P022-001330	SPRING KIT, REWIND	14
431712-30231	CHAIN, SAW	24	A444-000120	KNOB, SWITCH	16	P022-010640	CAP, OIL PUMP	22
431713-30231	CHAIN, SAW 21BPX-56E	24	A514-000050	PAWL	6	P022-010650	PLUNGER	22
431717-30231	CHAIN, SAW	24	A552-000470	HUB, CLUTCH	18	P022-010660	SPRING	22
431721-30231	CHAIN, SAW	20	A556-000481	DRUM, CLUTCH	18	P022-010670	SPRING	22
431721-30231	CHAIN, SAW	24	C022-000010	OILER,ASM AUTO	2	P022-010680	SCREW ASS'Y, ADJUST	22
433116-35430	SPACER 8	18	C022-000010	OILER,ASM AUTO	22	P022-033280	SPRING CASE	14
436114-13930	VALVE, CHECK	4	C236-000160	COVER,OILER	2	P022-050400	STARTER CASE	14
900330-30120	PIN	18	C300-001161	GUARD, SPROCKET	18	P022-050410	DRUM, STARTER	14
900515-00008	NUT, FLANGE 8	6	C304-000320	SPIKED	4	P022-050420	SPRING,DAMPER	14
900720-20029	O-RING 29	4	C309-000070	TENSIONER, CHAIN	18	P022-050430	PLATE, CAM	14
900720-20029	O-RING 29	16	C310-000150	CATCHER, CHAIN	4	P022-050440	ROPE, STARTER	14
900724-00022	O-RING S-22	8	C320-000530	LEVER, BRAKE	18	P022-050450	GRIP, STARTER	14
900810-36202	BEARING, BALL 6202	2	C328-000110	BAND, BRAKE	18	P100-001900	STRAINER, OIL	2
A021-004810	CARBURETOR, DIAPHRAGM	8	C334-000100	CONNECTOR, BRAKE	18	P100-004570	CRANKCASE SET	2
A021-004810	CARBURETOR, DIAPHRAGM	10	C345-000650	COVER,BRAKE	18	P100-004580	PISTON KIT	2
A051-003300	STARTER,RECOIL ASY	14	C400-001630	HANDLE, FRONT	16	P100-004590	CRANKSHAFT ASY	2
A056-000840	CLUTCH ASY	18	C411-000230	LID,HANDLE	16	P100-004600	COVER ENGINE ASY	4
A101-000710	RING, PISTON	2	C450-001040	CONTROL, THROTTLE	16	P100-004610	CAP,OIL ASY	4
A160-003360	COVER,CYLINDER	4	C454-000570	ROD, THROTTLE	16	P100-004620	MUFFLER ASY	12
			C649-000420	HOOK	18			

# NUMERICAL PARTS INDEX

Part No	Part description	Page	Part No	Part description	Page
P100-004630	REAR HANDLE ASY	16	V582-000280	RING,SNAP	8
P100-004640	CAP,FUEL ASY	16	V651-001040	GEAR,BEVEL	18
P100-004651	GUARD, SPROCKET ASY	18	V651-001050	GEAR,BEVEL	18
V104-002340	GASKET,EXHAUST	12	V652-000030	GEAR,WORM	2
V187-000010	NIPPLE	2	V804-000000	BOLT, TORX 4	2
V203-000110	BOLT,5	18	V804-000000	BOLT, TORX 4	8
V203-002250	BOLT,5	6	V804-000010	BOLT, TORX 4	18
V203-002380	BOLT,5	4	V804-000030	BOLT, TORX 4	12
V225-000370	BOLT,STUD 8	4	V804-000050	BOLT, TORX 4	8
V265-000550	NUT,8	18	V805-000010	BOLT, TORX 5	4
V308-000030	WASHER,CIRCULAR 11	2	V805-000010	BOLT, TORX 5	14
V355-000140	COLLAR,8	18	V805-000010	BOLT, TORX 5	16
V356-000390	COLLAR,10	2	V805-000010	BOLT, TORX 5	18
V356-000430	COLLAR,10	18	V805-000040	BOLT, TORX 5	8
V420-001790	CUSHION	4	V805-000140	BOLT, TORX 5	2
V420-005250	CUSHION	8	V805-000140	BOLT, TORX 5	16
V420-005260	CUSHION	8	V805-000210	BOLT, TORX 5	6
V420-005270	CUSHION	16	V805-000240	BOLT, TORX 5	16
V450-000070	SPRING,COMPRESSION	18	V805-000250	BOLT, TORX 5	2
V450-002180	SPRING,COMPRESSION	16	V805-000250	BOLT, TORX 5	12
V450-002190	SPRING,COMPRESSION	16	V805-000270	BOLT, TORX 5	4
V450-002200	SPRING,COMPRESSION	16	X122-000390	BAR,GUIDE 30	24
V451-000500	SPRING,TENSION	18	X123-000620	BAR,GUIDE 35	20
V452-000260	SPRING,TORSION	16	X123-000620	BAR,GUIDE 35	24
V452-001281	SPRING,TORSION	18	X123-000650	BAR,GUIDE 35	24
V453-000260	SPRING,FLAT	8	X125-000390	BAR,GUIDE 45	24
V456-000240	HOLDER,SPRING	16	X125-000420	BAR,GUIDE 45	24
V471-000760	PIPE	8	X126-000300	BAR,GUIDE 50	24
V471-001290	PIPE	16	X126-000320	BAR,GUIDE 50	24
V471-005180	PIPE	16	X490-000490	SCABBARD,CHAIN	20
V471-005190	PIPE	2	X502-001050	LABEL,ECHO	18
V471-005190	PIPE	16	X502-001060	LABEL,ECHO	4
V471-005200	PIPE	2	X503-014430	LABEL,MODEL	14
V471-005210	PIPE	16	X503-014630	LABEL,MODEL	8
V475-009180	TUBE	6	X505-010150	LABEL,CAUTION	18
V485-002960	LEAD	6	X510-001050	LABEL,SWITCH	4
V485-002970	LEAD	6	X602-000080	TOOL,WRENCH	20
V486-000540	TERMINAL,LEAD	16			
V490-001230	CLIP	2			
V490-001230	CLIP	16			
V490-001240	CLIP	16			
V508-000110	SEAL,OIL 15	2			
V555-000140	BEARING,NEEDLE	2			
V555-000170	BEARING,NEEDLE 10	18			
V580-000010	RING,END	2			