

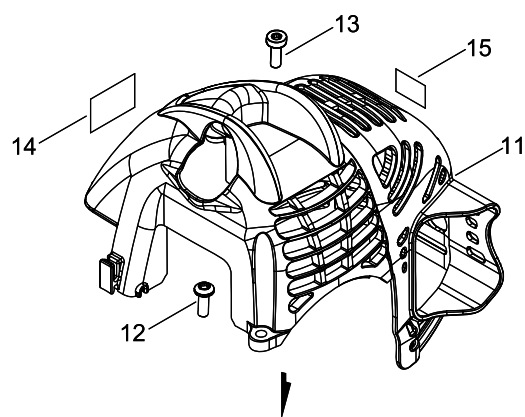
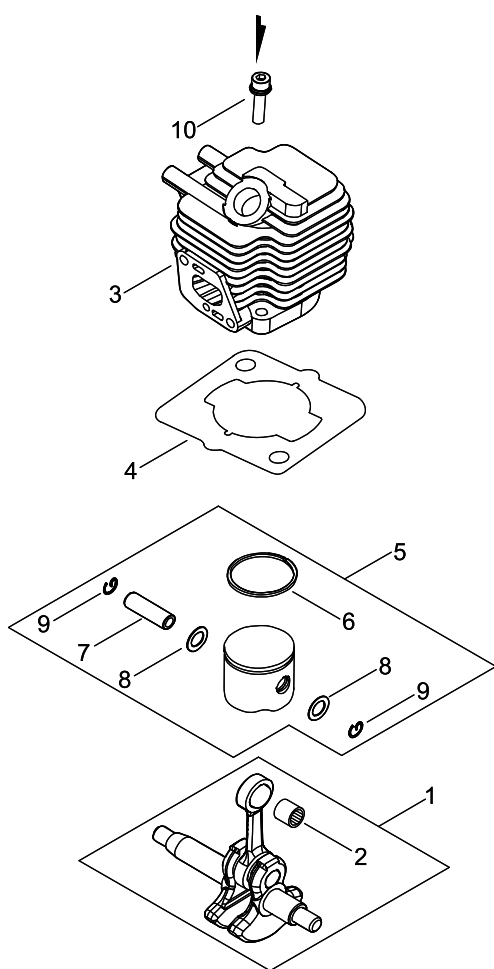
HCA-236ES-LW

Published:01/17/2018

TABLE OF CONTENTS

CYLINDER, PISTON, CRANKSHAFT.....	1
CRANKCASE	3
MAGNETO.....	5
CLUTCH.....	7
AIR CLEANER, CARBURETOR.....	9
CARBURETOR.....	11
FUEL TANK.....	13
MUFFLER	15
RECOIL STARTER, PULLY	17
GEAR CASE.....	19
CUTTING BLADE.....	23
MAIN PIPE	25
THROTTLE	27
ACCESSORIES.....	29

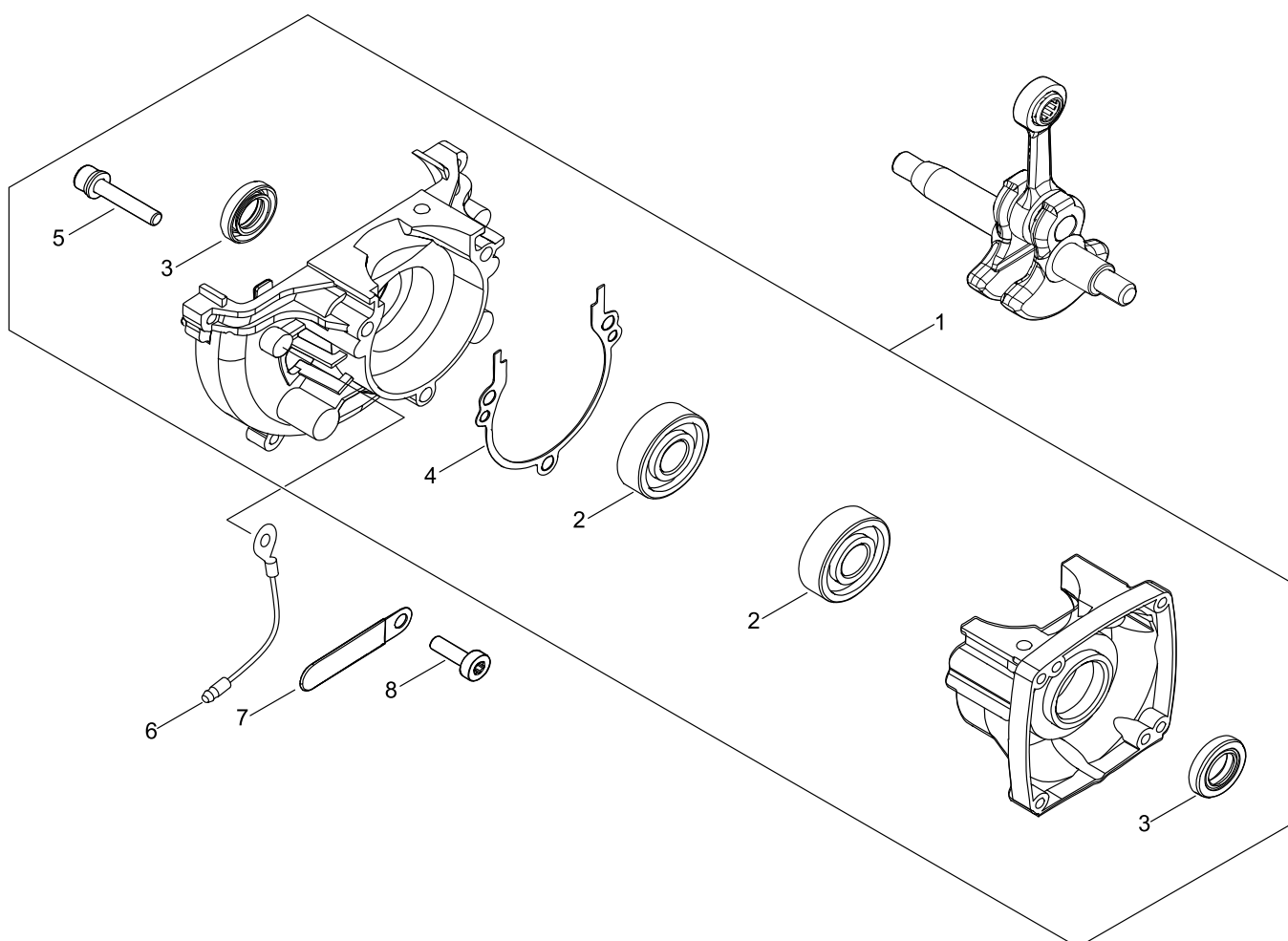
CYLINDER, PISTON, CRANKSHAFT



CYLINDER, PISTON, CRANKSHAFT

KEY NO	LV(+)	Part No	Description	Qty	Standard	Comment
1		A011-001410	CRANKSHAFT,ASY	1		
2	+	V553-000060	BEARING,NEEDLE 8	1	HK0810FMV4	
3		A130-002100	CYLINDER	1		
4		101010-44332	GASKET, CYL. BASE	1		
5		P021-007712	PISTON KIT	1		
6	+	A101-000090	RING,PISTON	1		
7	+	100013-11520	PIN, PISTON	1		
8	+	100014-11520	SPACER, PISTON PIN	2		
9	+	100015-04630	CIRCLIP, PISTON PIN	2		
10		900162-05022	BOLT, H.S. 5*22	2	5*22 W,SW	
11		A160-001090	COVER,CYLINDER	1		
12		V805-000000	BOLT, TORX 5	1	TT-5*16 DG 10.9	
13		V805-000150	BOLT, TORX 5	1	TB-5*16 10.9	
14		X547-003260	LABEL,ECHO	1	ECHO+ HCA-236ES	
15		X505-007710	LABEL,CAUTION	1		

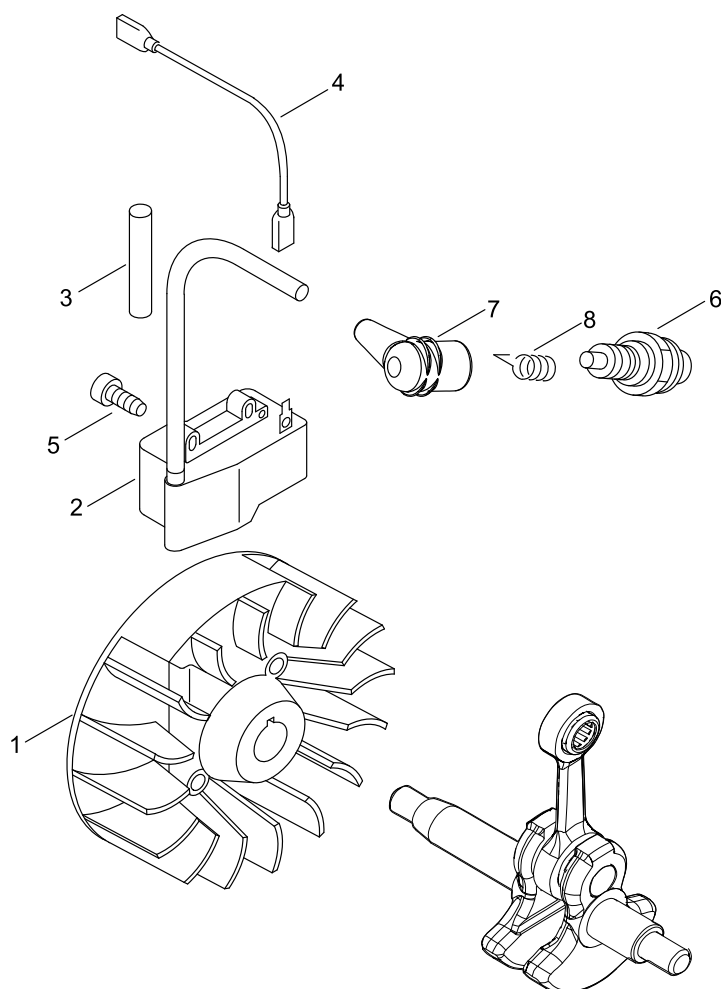
CRANKCASE



CRANKCASE

KEY NO	LV(+)	Part No	Description	Qty	Standard	Comment
1		P100-001870	CRANKCASE SET	1		
2	+	94035-36201	BEARING BALL	2	6201X3JR2C3	
3	+	100212-42031	OILSEAL	2	ISCD 12*22*4.5	
4	+	100242-42030	GASKET, CRANKCASE	1		
5	+	900162-05028	BOLT, H.S. 5*28	3	5*28 W,SW	
6		162014-27230	LEAD, GROUND	1		
7		159116-21231	CLAMP	1		
8		V805-000130	BOLT, TORX 5	1	TB-5*10 10.9	

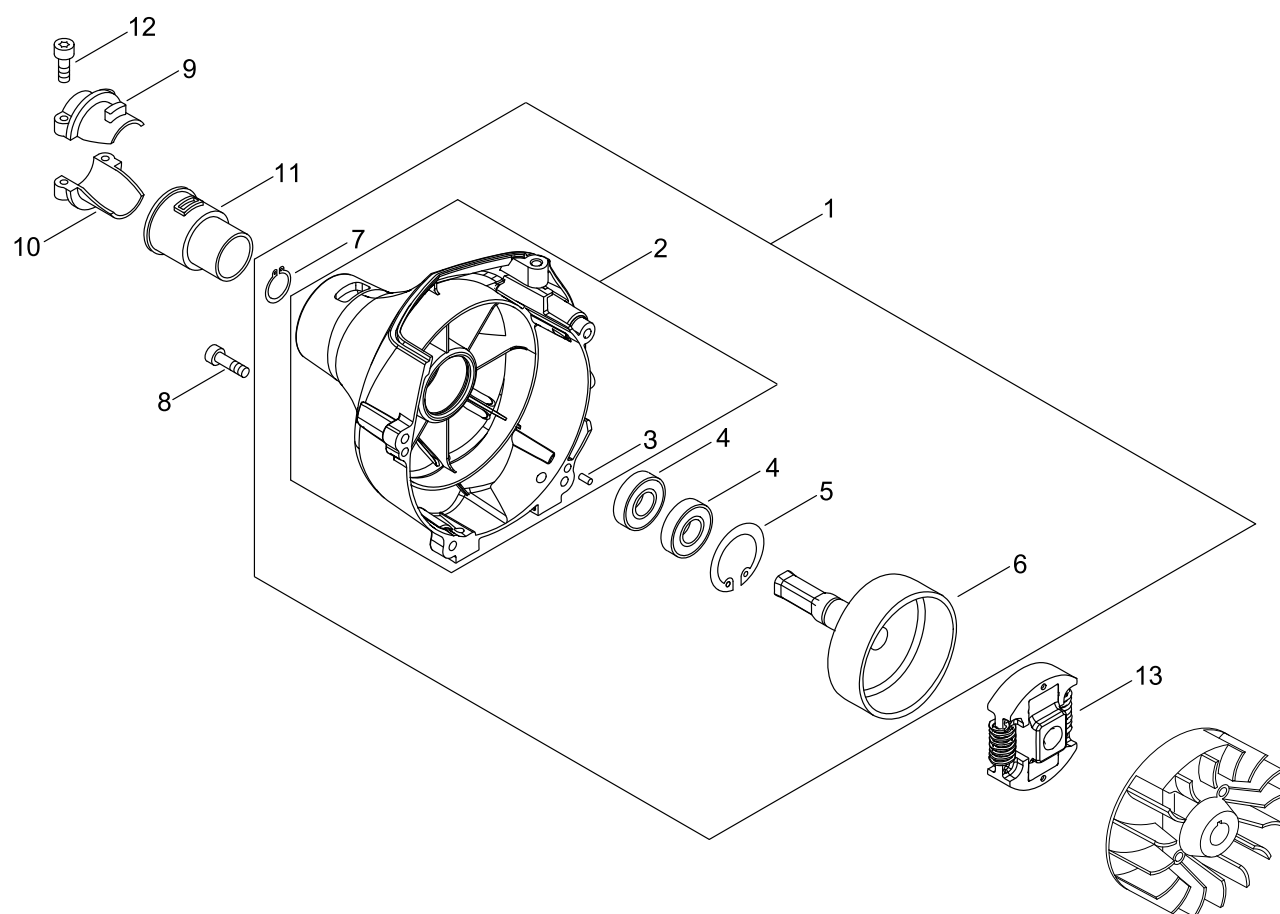
MAGNETO



MAGNETO

KEY NO	LV(+)	Part No	Description	Qty	Standard	Comment
1		A409-000160	ROTOR,MAGNETO	1		
2		A411-000130	COIL,IGNITION	1		
3		V475-007200	TUBE	1	SSG-3Φ8*L65	
4		V485-001120	LEAD	1	L210 #187 CB104	
5		V804-000070	BOLT, TORX 4	2	TB-4*20 12.9	
6		A425-000000	SPARKPLUG	1	BPMR8Y	
7		A427-000013	CAP,SPARK PLUG	1		
8		A426-000010	TERMINAL,SPARKPLUG	1		

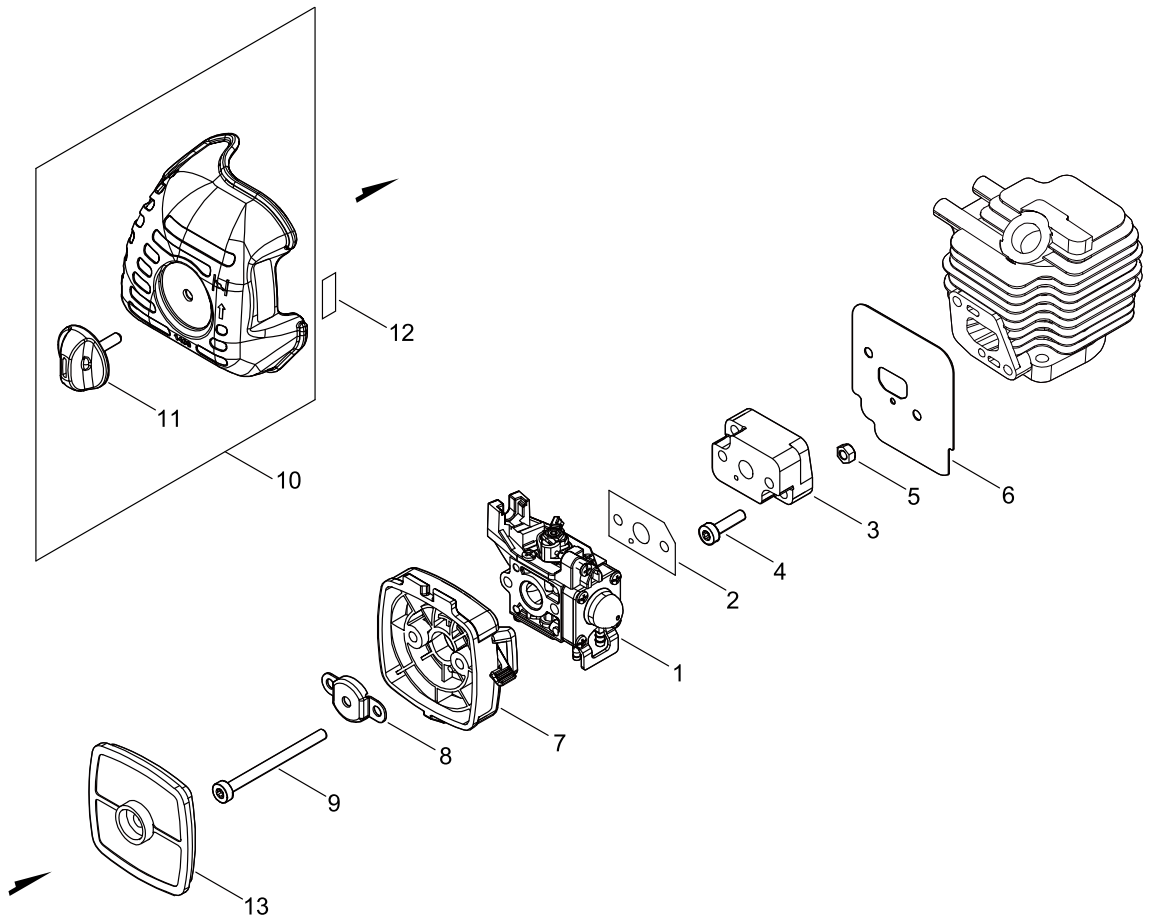
CLUTCH



CLUTCH

KEY NO	LV(+)	Part No	Description	Qty	Standard	Comment
1		P021-047631	FAN COVER ASY	1		
2	+	A172-000861	COVER,FAN	1		
3	++	900330-40080	PIN F 4*8	2	4*8	
4	+	900807-06001	BEARING, BALL 6001	2	6001V(LB)	
5	+	900702-00028	CIRCLIP 28	1	CR-28	
6	+	175005-48931	DRUM, CLUTCH	1		
7	+	900701-00012	CIRCLIP 12	1	CS-12	
8		V804-000060	BOLT, TORX 4	4	TB-4*16 10.9	
9		610922-27432	HOLDER	1		
10		610923-55230	HOLDER	1		
11		610910-55230	CUSHION	1		
12		V805-000160	BOLT, TORX 5	2	TB-5*20 10.9	
13		A056-000780	CLUTCH ASY	1	22 C0.5 D50 NONR	

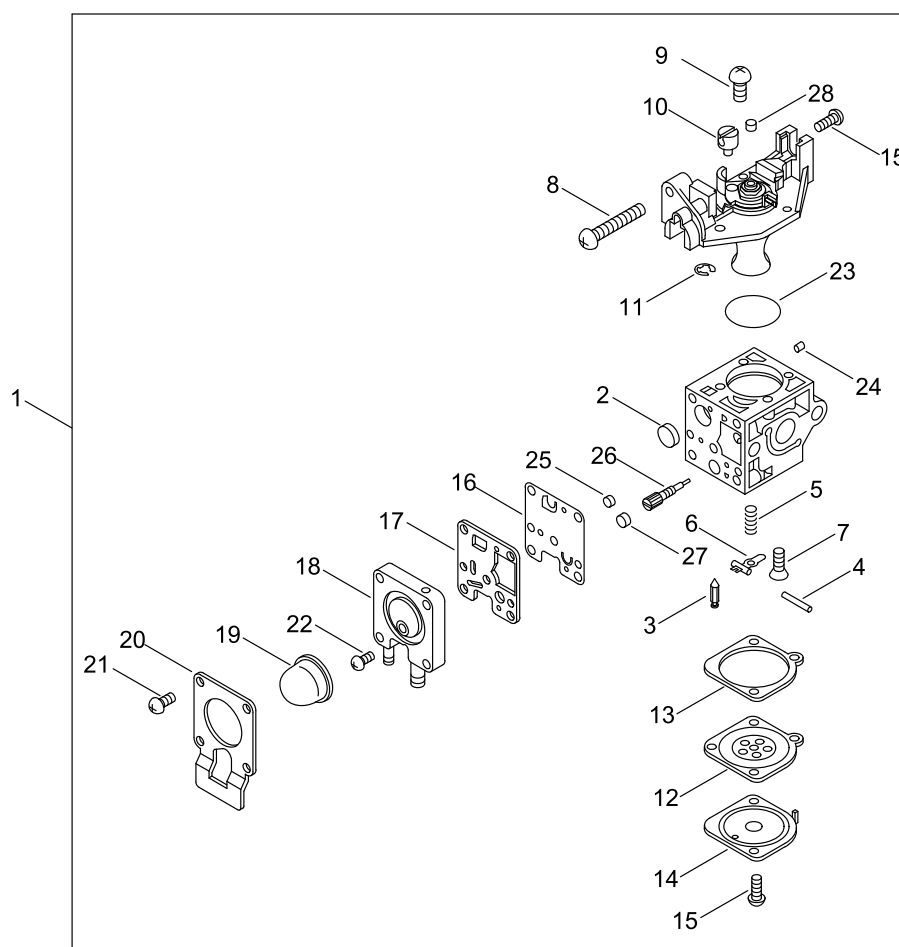
AIR CLEANER, CARBURETOR



AIR CLEANER, CARBURETOR

KEY NO	LV(+)	Part No	Description	Qty	Standard	Comment
1		A021-003881	CARBURETOR, DIAPHRAGM	1	ZAMA RB-K113	
2		V103-001390	GASKET,INTAKE	1		
3		130017-44331	INSULATOR	1		
4		V805-000160	BOLT, TORX 5	2	TB-5*20 10.9	
5		900500-00005	NUT 5	2	5	
6		V103-001360	GASKET,INTAKE	1		
7		P021-015571	CASE, AIR CLEANER	1		
8		129011-52730	PLATE, PREVENT	1		
9		V805-000100	BOLT, TORX 5	2	TB-5*65 10.9	
10		P100-002260	LID,CLEANER ASY	1		
11	+	V299-000250	KNOB,FASTENER	1		
12		890332-52730	LABEL, CHOKE	1		
13		A226-001410	ELEMENT,AIR FILTER	1		

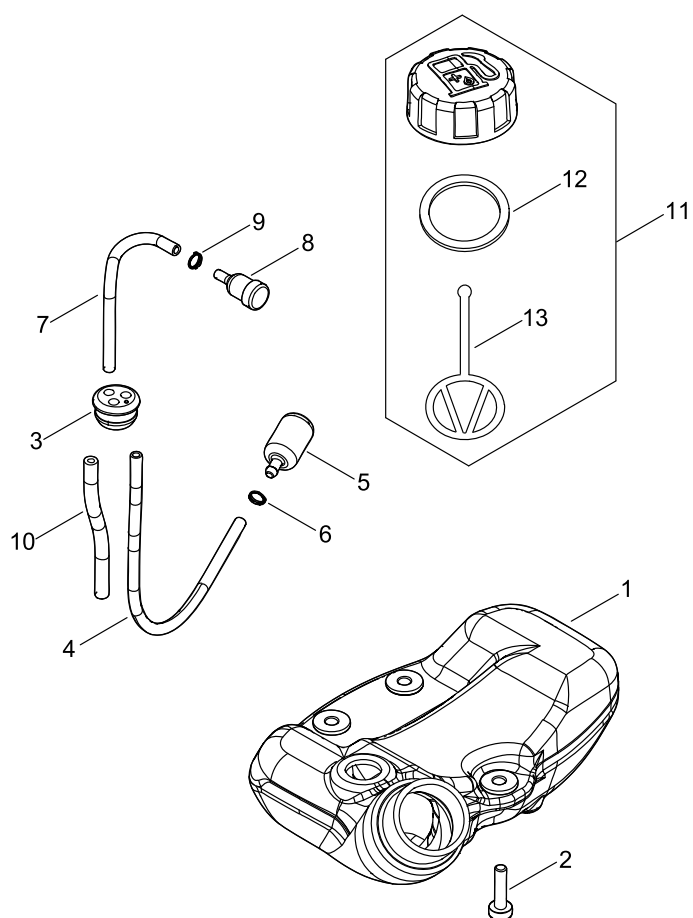
CARBURETOR



CARBURETOR

KEY NO	LV(+)	Part No	Description	Qty	Standard	Comment
1		A021-003881	CARBURETOR, DIAPHRAGM	1	ZAMA RB-K113	
2	+	P005-000010	STRAINER	1		
3	+	125337-08260	VALVE, INLET NEEDLE	1		
4	+	125338-13930	PIN, METERING ARM	1		
5	+	P005-002430	SPRING, MET. LEVER	1		
6	+	125323-08260	ARM, VALVE	1		
7	+	125339-42030	SCREW	1		
8	+	P005-000100	SCREW, THROTTLEADJUST	1		
9	+	125344-13931	SCREW	3		
10	+	P005-001240	POST	1		
11	+	P005-000190	E-RING	1		
12	+	P005-002230	DIAPHRAGM ,METERING	1		
13	+	P005-000200	GASKET, METERING	1		
14	+	125342-52130	COVER, DIAPHRAGM	1		
15	+	125344-52130	SCREW	3		
16	+	P005-000510	DIAPHRAGM, PUMP	1		
17	+	P005-000520	GASKET, PUMP	1		
18	+	P005-001890	BASE, ASY PRIMER	1		
19	+	P005-003110	PUMP, PRIMER	1		
20	+	P005-000250	RETAINER	1		
21	+	P005-001900	SCREW	4		
22	+	P005-000270	SCREW	1		
23	+	P005-000280	O-RING	1		
24	+	P005-001000	ROLLER, GUIDE	1		
25	+	P005-001250	RETAINER,PLUG BALL	1		
26	+	P005-001260	SCREW,MAINN MIXTURE	1		
27	+	P005-001270	PLUG, H AJUST SCREW	1		
28	+	A259-000010	CAP,LIMITER	1		

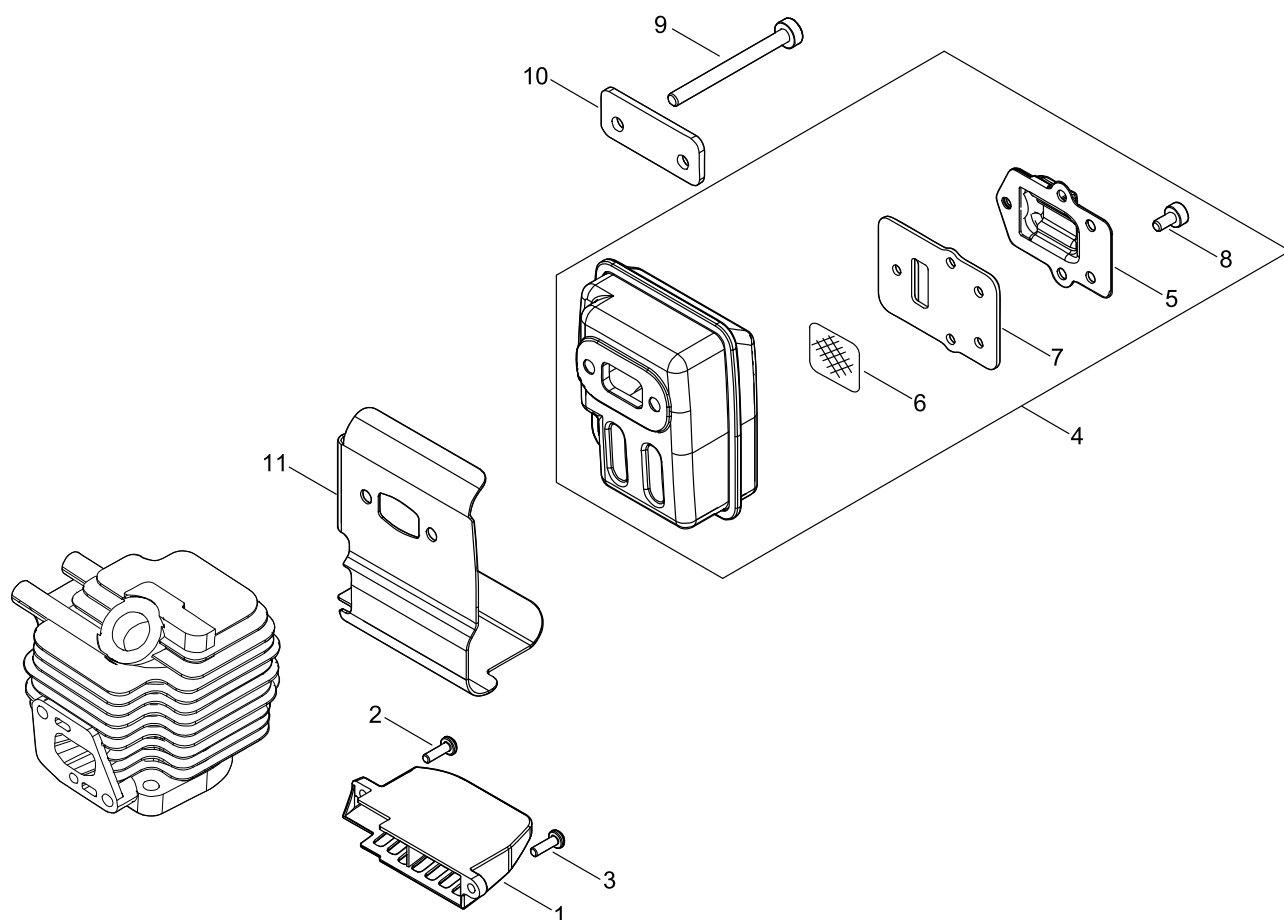
FUEL TANK



FUEL TANK

KEY NO	LV(+)	Part No	Description	Qty	Standard	Comment
1		A350-000801	TANK, FUEL	1		
2		V805-000160	BOLT, TORX 5	3	TB-5*20 10.9	
3		132115-46730	GROMMET, FUEL	1		
4		V470-000840	PIPE	1		
5		A369-000480	STRAINER, FUEL	1	125-959	
6		V490-001240	CLIP	1		
7		V471-001210	PIPE	1	3*5*90 NBR	
8		A356-000031	VALVE,CHECK	1		
9		V490-001240	CLIP	1		
10		132012-56030	PIPE	1	3*6*80 YL	
11		P021-012210	CAP,FUEL ASY	1		
12	+	131016-55830	GASKET, FUEL CAP	1		
13	+	A365-000060	CONNECTOR,CAP	1	L=123	

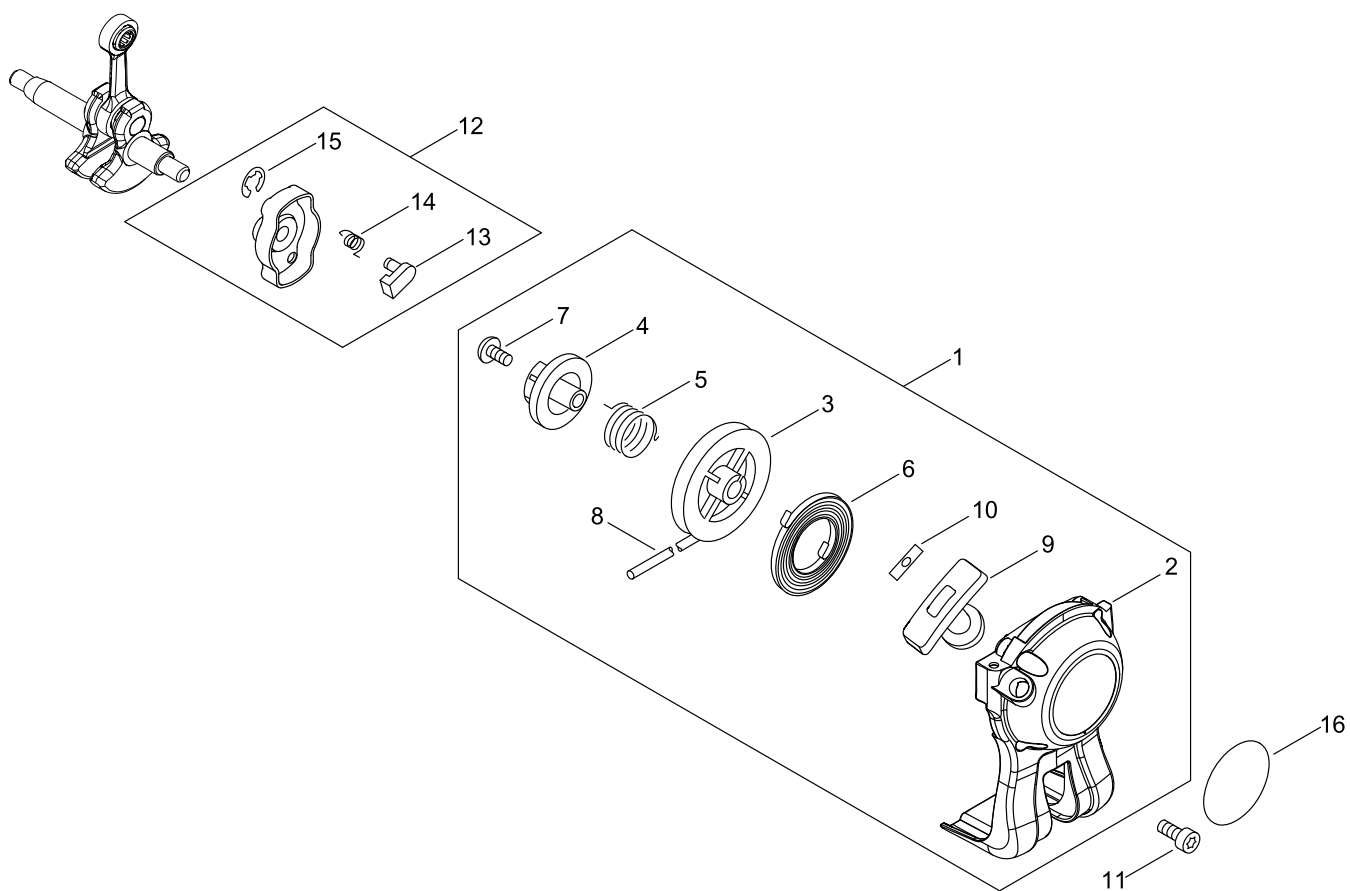
MUFFLER



MUFFLER

KEY NO	LV(+)	Part No	Description	Qty	Standard	Comment
1		A320-000480	COVER,MUFFLER	1		
2		V805-000000	BOLT, TORX 5	1	TT-5*16 DG 10.9	
3		V805-000150	BOLT, TORX 5	1	TB-5*16 10.9	
4		P021-047652	MUFFLER ASY	1		
5	+	A313-000600	GUIDE,EXH	1		
6	+	145862-40630	SCREEN, MUFFLER	1		
7	+	V104-001761	GASKET,EXHAUST	1		
8	+	V804-000030	BOLT, TORX 4	5	TB-4*8 10.9	
9		V805-000190	BOLT, TORX 5	2	TB-5*55 12.9	
10		V150-000371	PLATE,EYE	1		
11		V104-000850	GASKET,EXHAUST	1	T1.0	

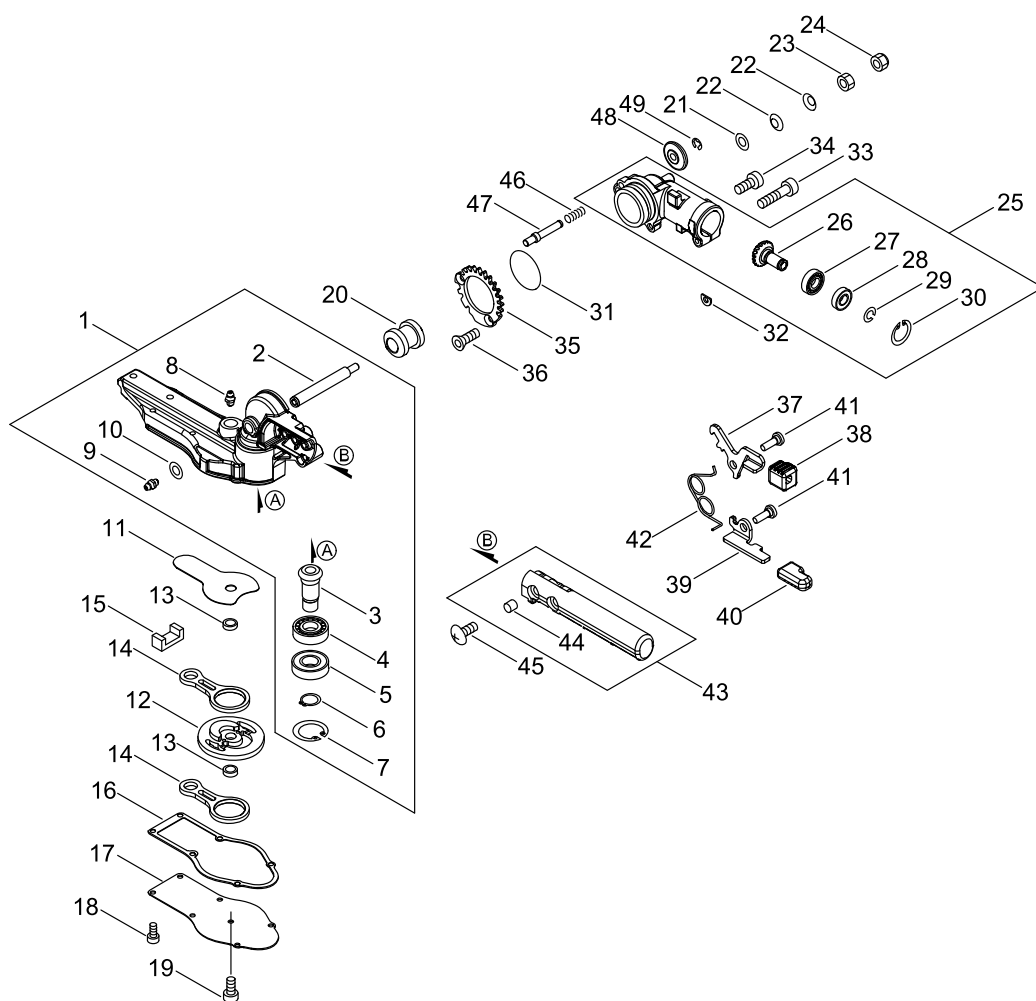
RECOIL STARTER, PULLY



RECOIL STARTER, PULLY

KEY NO	LV(+)	Part No	Description	Qty	Standard	Comment
1		A051-001312	STARTER,RECOIL ASY	1		
2	+	P022-036970	CASE,STARTER	1		
3	+	P022-034040	DRUM, STARTER	1		
4	+	P022-034030	PLATE, CAM	1		
5	+	P022-008270	SPRING,DAMPER	1		
6	+	P022-019680	SPRING, SPIRAL	1		
7	+	177236-61830	SCREW	1		
8	+	P022-019990	ROPE, STARTER	1		
9	+	177228-27030	GRIP, STARTER	1		
10	+	P022-037670	STOPPER, ROPE	1		
11		V804-000060	BOLT, TORX 4	4	TB-4*16 10.9	
12		A052-000180	PULLEY,ASM STARTER	1		
13	+	P022-006850	PAWL, STARTER	2		
14	+	P022-006510	SPRING, RETURN	2		
15	+	P022-002100	E-RING	2	4	
16		X502-000330	LABEL,ECHO	1	ECHO	

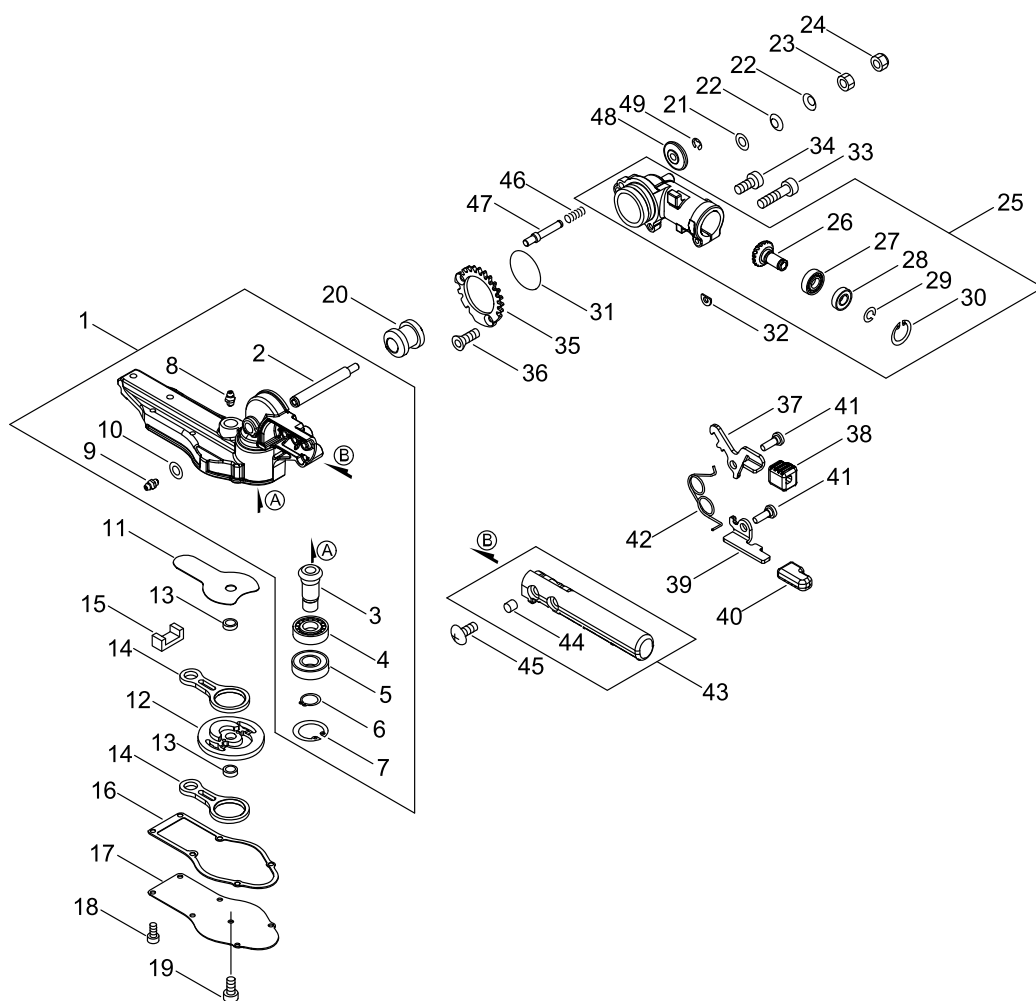
GEAR CASE



GEAR CASE

KEY NO	LV(+)	Part No	Description	Qty	Standard	Comment
1		P100-004080	CASE,GEAR ASY	1		
2	+	C534-001010	SHAFT, GEAR	1	10 M6-M6	
3	+	V655-000090	SHAFT,PINION	1		
4	+	900800-36002	BEARING, BALL 6002	1	6002	
5	+	94004-36002	BEARING, BALL	1	BB6002ZZ/C3	
6	+	900701-00014	CIRCLIP 14	1	CS-14	
7	+	900702-00032	CIRCLIP 32	1	CR-32	
8	+	V187-000080	GREASE NIPPLE	1		
9	+	V187-000080	GREASE NIPPLE	1		
10	+	900603-00006	WASHER 6	1	6.5*13*1	
11		V150-003941	PLATE,EYE	1		
12		V650-000661	GEAR,SPUR	1		
13		V356-000730	COLLAR,10	2	9.5*13*L4	
14		C532-000360	ROD, CONNECTING	2		
15		V541-000570	SEAL	1		
16		V110-000180	GASKET,GEAR CASE	1		
17		C539-000160	LID,GEARCASE	1	T1.2	
18		V804-000110	BOLT, TORX 4	6	TB-4*10 12.9	
19		V805-000300	BOLT, TORX 5	1	TB-5*12 12.9	
20		P021-047570	GEAR,BEVEL SET	1		
21		900603-00006	WASHER 6	1	6.5*13*1	
22		V347-000030	CONE WASHER	2		
23		900502-00006	NUT 6 (3N)	1	3N6	
24		900560-00006	NUT, LOCK	1	6	
25		P021-047820	CASE ASY, GEAR	1		
26	+	V651-001000	GEAR,BEVEL	1		
27	+	900855-06901	BEARING, BALL 6901	1	6901	
28	+	900859-06901	BEARING, BALL	1	6901	
29	+	900706-00012	CIRCLIP 12	1	WR-12	
30	+	900702-00024	CIRCLIP 24	1	CR-24	
31		900724-00035	O-RING 35	1	S-35	
32		V340-000300	SHIM	1		
33		V805-000170	BOLT, TORX 5	1	TB-5*25 10.9	
34		V805-000130	BOLT, TORX 5	1	TB-5*10 10.9	
35		C465-000030	RESETTER, LATCH	1		
36		900175-05012	BOLT, H.S.H	2	5*12	
37		C661-000150	LEVER, RELEASE	1	T3.2	
38		V494-000880	CAP	1		
39		C661-000080	SAFTY LEVER	1		
40		V494-000891	CAP	1		
41		V204-000580	PIN RATCHET	2		
42		V452-000710	COIL SPRING	1		
43		C403-000480	HANDLE	1		
44	+	V354-000320	COLLAR	2		
45		91463-06020	SCREW TRUSS	2		
46		V450-001930	SPRING,COMPRESSION	1		
47		C226-000070	PIN,CONTROL	1		

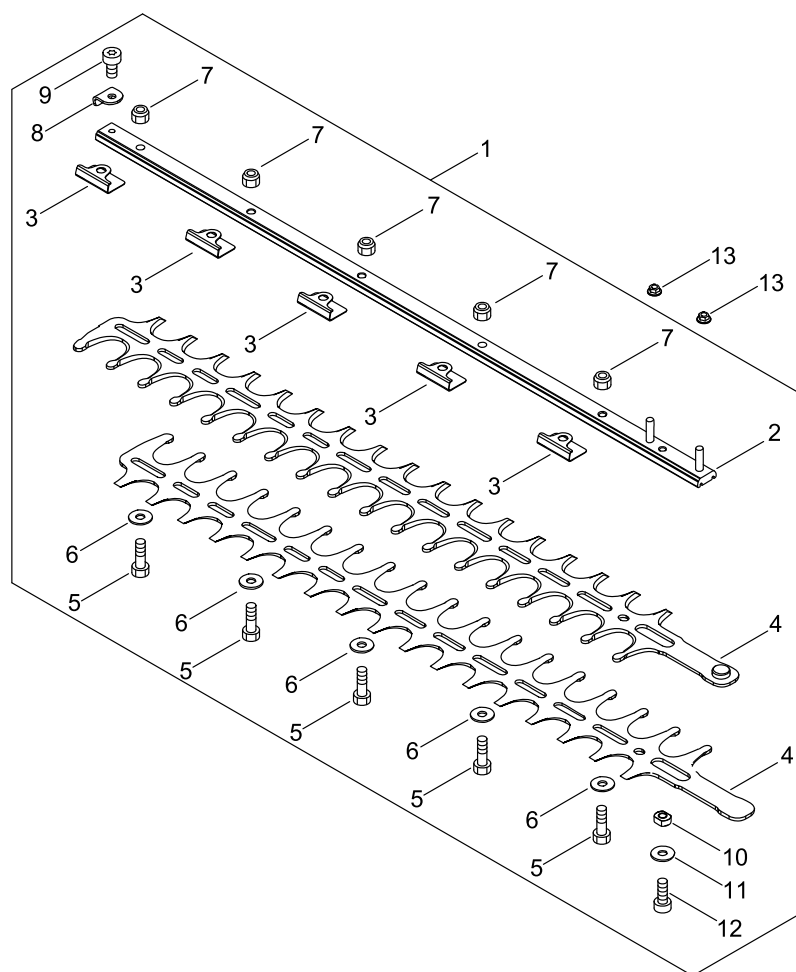
GEAR CASE



GEAR CASE

KEY NO	LV(+)	Part No	Description	Qty	Standard	Comment
48		M613-000250	KNOB	1		
49		900700-00005	E-RING 5	1	CE-5	

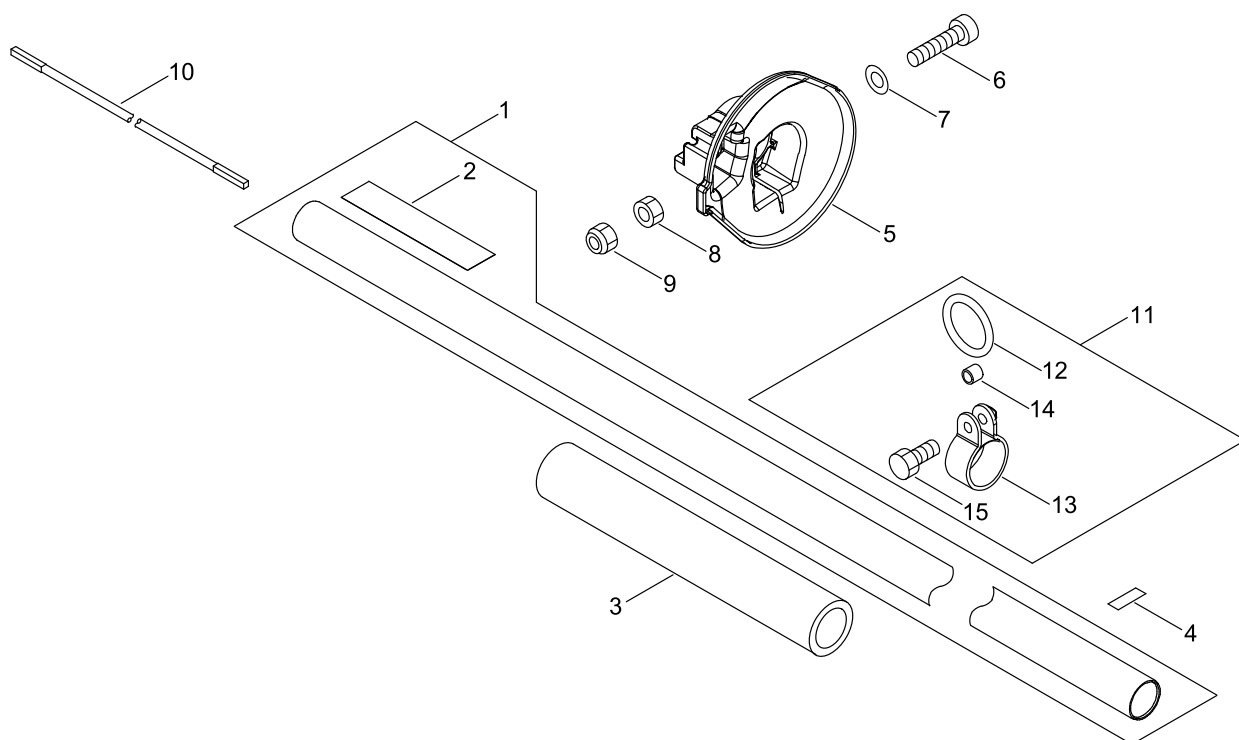
CUTTING BLADE



CUTTING BLADE

KEY NO	LV(+)	Part No	Description	Qty	Standard	Comment
1		X041-000510	CUTTER,ASM	1		
2	+	X425-000920	SUPPORT,CUTTER	1	600MM	
3	+	X425-000930	SUPPORT,CUTTER	5	T0.5	
4	+	X411-001320	CUTTER	2	600MM T2.0	
5	+	V204-000570	BOLT	5		
6	+	V304-000240	WASHER	5		
7	+	433022-06460	NUT	5		
8	+	J447-001050	GUARD	1	T1.6	
9	+	V805-000120	BOLT, TORX 5	1	TB-5*8 10.9	
10	+	V376-002130	SPACER	1		
11	+	V304-000240	WASHER	1		
12	+	V805-000250	BOLT, TORX 5	1	TB-5*16 12.9	
13		V263-000330	FLANGE NUT	2		

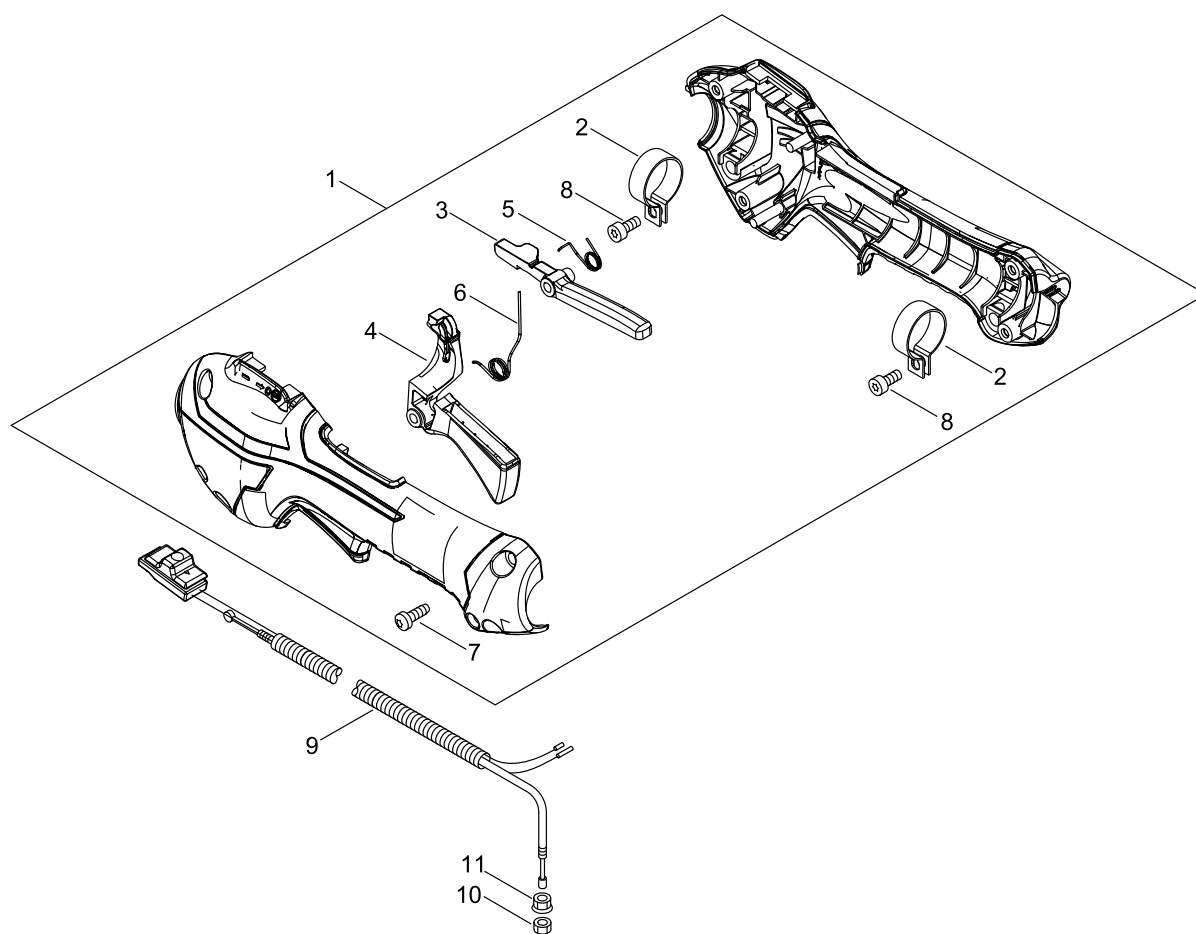
MAIN PIPE



MAIN PIPE

KEY NO	LV(+)	Part No	Description	Qty	Standard	Comment
1		P100-004090	MAIN PIPE ASY	1		
2	+	890617-12361	LABEL, CAUTION	1		
3		C403-000470	GRIP	1		
4		890152-04930	LABEL, CAUTION	1		
5		C440-000100	GUARD, HAND	1		
6		V805-000060	BOLT, TORX 5	1	TB-5*35 10.9	
7		900603-00005	WASHER 5	1	5.5*12*0.8	
8		900500-00005	NUT 5	1	5	
9		900562-00005	NUT, LOCK	1	5	
10		C506-000390	SHAFT, FLEXIBLE	1	59.920 LNG	
11		P100-004100	HOOK ASY	1		
12	+	301016-52730	RING,HARNESS	1		
13	+	301207-08930	HOOK	1		
14	+	699012-03330	SPACER	1		
15	+	900100-05018	BOLT 5*18	1	5*18	

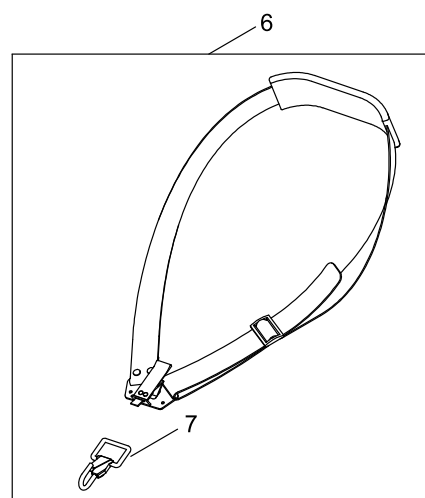
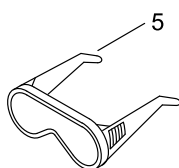
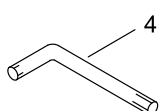
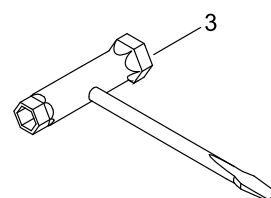
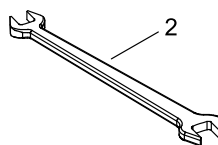
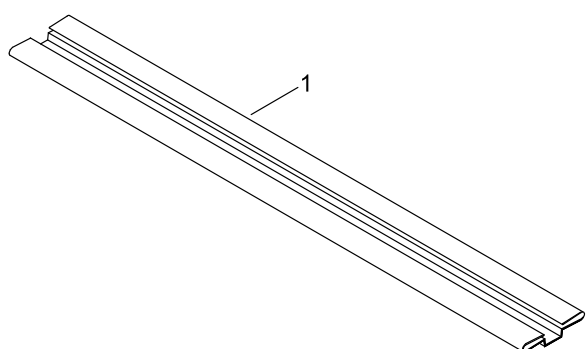
THROTTLE



THROTTLE

KEY NO	LV(+)	Part No	Description	Qty	Standard	Comment
1		P021-047691	GRIP ASY	1		
2	+	V495-003020	BAND	2		
3	+	C460-000441	LOCKOUT, THROTTLE	1	SRM-225 REDESIGN	
4	+	C453-000482	LEVER, THROTTLE	1	SRM-225 REDESIGN	
5	+	V452-001510	SPRING,TORSION	1	LOCKOUT LEVER	
6	+	V452-001520	SPRING,TORSION	1	THROTTLE LEVER	
7	+	V805-000000	BOLT, TORX 5	4	TT-5*16 DG 10.9	
8	+	V805-000150	BOLT, TORX 5	2	TB-5*16 10.9	
9		P021-047700	CABLE ASY, CONTROL	1		
10		900502-00006	NUT 6 (3N)	1	3N6	
11		900518-00006	NUT, FLANGE	1	6	

ACCESSORIES



ACCESSORIES

KEY NO	LV(+)	Part No	Description	Qty	Standard	Comment
1		X495-000570	SCABBARD,BLADE	1		
2		895112-00330	SPANNER 8*10	1		
3		895410-03930	WRENCH, W/S. DRIVER	1		
4		X605-000170	TOOL,L WRENCH	1		
5		X690-000080	GOGGLE	1	SI CHINA, Z87.1	
6		C062-000390	STRAP ASSY	1		
7	+	C649-000200	HOOK	1		

NUMERICAL PARTS INDEX

Part No	Part description	Page	Part No	Part description	Page	Part No	Part description	Page
100013-1-1520	PIN, PISTON	2	301016-5-2730	RING,HARNESS	26	900603-0-0005	WASHER 5	26
100014-1-1520	SPACER, PISTON PIN	2	301207-0-8930	HOOK	26	900603-0-0006	WASHER 6	20
100015-0-4630	CIRCLIP, PISTON PIN	2	433022-0-6460	NUT	24	900700-0-0005	E-RING 5	22
100212-4-2031	OILSEAL	4	610910-5-5230	CUSHION	8	900701-0-0012	CIRCLIP 12	8
100242-4-2030	GASKET, CRANKCASE	4	610922-2-7432	HOLDER	8	900701-0-0014	CIRCLIP 14	20
101010-4-4332	GASKET, CYL. BASE	2	610923-5-5230	HOLDER	8	900702-0-0024	CIRCLIP 24	20
125323-0-8260	ARM, VALVE	12	699012-0-3330	SPACER	26	900702-0-0028	CIRCLIP 28	8
125337-0-8260	VALVE, INLET NEEDLE	12	890152-0-4930	LABEL, CAUTION	26	900702-0-0032	CIRCLIP 32	20
125338-1-3930	PIN, METERING ARM	12	890332-5-2730	LABEL, CHOKE	10	900706-0-0012	CIRCLIP 12	20
125339-4-2030	SCREW	12	890617-1-2361	LABEL, CAUTION	26	900724-0-0035	O-RING 35	20
125342-5-2130	COVER, DIAPHRAGM	12	895112-0-0330	SPANNER 8*10	30	900800-3-6002	BEARING, BALL 6002	20
125344-1-3931	SCREW	12	895410-0-3930	WRENCH, W/S. DRIVER	30	900807-0-6001	BEARING, BALL 6001	8
125344-5-2130	SCREW	12	900100-0-5018	BOLT 5*18	26	900855-0-6901	BEARING, BALL 6901	20
129011-5-2730	PLATE, PREVENT	10	900162-0-5022	BOLT, H.S. 5*22	2	900859-0-6901	BEARING, BALL	20
130017-4-4331	INSULATOR	10	900162-0-5028	BOLT, H.S. 5*28	4	91463-06-020	SCREW TRUSS	20
131016-5-5830	GASKET, FUEL CAP	14	900175-0-5012	BOLT, H.S.H	20	94004-36-002	BEARING, BALL	20
132012-5-6030	PIPE	14	900330-4-0080	PIN F 4*8	8	94035-36-201	BEARING BALL	4
132115-4-6730	GROMMET, FUEL	14	900500-0-0005	NUT 5	10	A011-00-1410	CRANKSHAFT,ASY	2
145862-4-0630	SCREEN, MUFFLER	16	900500-0-0005	NUT 5	26	A021-00-3881	CARBURETOR, DIAPHRAGM	10
159116-2-1231	CLAMP	4	900502-0-0006	NUT 6 (3N)	20	A021-00-3881	CARBURETOR, DIAPHRAGM	12
162014-2-7230	LEAD, GROUND	4	900502-0-0006	NUT 6 (3N)	28	A051-00-1312	STARTER,RECOIL ASY	18
175005-4-8931	DRUM, CLUTCH	8	900518-0-0006	NUT, FLANGE	28	A052-00-0180	PULLEY,ASM STARTER	18
177228-2-7030	GRIP, STARTER	18	900560-0-0006	NUT, LOCK	20	A056-00-0780	CLUTCH ASY	8
177236-6-1830	SCREW	18	900562-0-0005	NUT, LOCK	26	A101-00-0090	RING,PISTON	2

NUMERICAL PARTS INDEX

Part No	Part description	Page	Part No	Part description	Page	Part No	Part description	Page
A130-00-2100	CYLINDER	2	C506-00-0390	SHAFT, FLEXIBLE	26	P005-00-1900	SCREW	12
A160-00-1090	COVER,CYLINDER	2	C532-00-0360	ROD, CONNECTING	20	P005-00-2230	DIAPHRAGM , METERING	12
A172-00-0861	COVER,FAN	8	C534-00-1010	SHAFT, GEAR	20	P005-00-2430	SPRING, MET. LEVER	12
A226-00-1410	ELEMENT,AIR FILTER	10	C539-00-0160	LID,GEARCASE	20	P005-00-3110	PUMP, PRIMER	12
A259-00-0010	CAP,LIMITER	12	C649-00-0200	HOOK	30	P021-00-7712	PISTON KIT	2
A313-00-0600	GUIDE,EXH	16	C661-00-0080	SAFTY LEVER	20	P021-01-2210	CAP,FUEL ASY	14
A320-00-0480	COVER,MUFFLER	16	C661-00-0150	LEVER, RELEASE	20	P021-01-5571	CASE, AIR CLEANER	10
A350-00-0801	TANK, FUEL	14	J447-00-1050	GUARD	24	P021-04-7570	GEAR,BEVEL SET	20
A356-00-0031	VALVE,CHECK	14	M613-00-0250	KNOB	22	P021-04-7631	FAN COVER ASY	8
A365-00-0060	CONNECTOR,CAP	14	P005-00-0010	STRAINER	12	P021-04-7652	MUFFLER ASY	16
A369-00-0480	STRAINER, FUEL	14	P005-00-0100	SCREW, THROTTLEADJUST	12	P021-04-7691	GRIP ASY	28
A409-00-0160	ROTOR,MAGNETO	6	P005-00-0190	E-RING	12	P021-04-7700	CABLE ASY, CONTROL	28
A411-00-0130	COIL,IGNITION	6	P005-00-0200	GASKET, METERING	12	P021-04-7820	CASE ASY, GEAR	20
A425-00-0000	SPARKPLUG	6	P005-00-0250	RETAINER	12	P022-00-2100	E-RING	18
A426-00-0010	TERMINAL, SPARKPLUG	6	P005-00-0270	SCREW	12	P022-00-6510	SPRING, RETURN	18
A427-00-0013	CAP,SPARK PLUG	6	P005-00-0280	O-RING	12	P022-00-6850	PAWL, STARTER	18
C062-00-0390	STRAP ASSY	30	P005-00-0510	DIAPHRAGM, PUMP	12	P022-00-8270	SPRING,DAMPER	18
C226-00-0070	PIN,CONTROL	20	P005-00-0520	GASKET, PUMP	12	P022-01-9680	SPRING, SPIRAL	18
C403-00-0470	GRIP	26	P005-00-1000	ROLLER, GUIDE	12	P022-01-9990	ROPE, STARTER	18
C403-00-0480	HANDLE	20	P005-00-1240	POST	12	P022-03-4030	PLATE, CAM	18
C440-00-0100	GUARD, HAND	26	P005-00-1250	RETAINER,PLUG BALL	12	P022-03-4040	DRUM, STARTER	18
C453-00-0482	LEVER, THROTTLE	28	P005-00-1260	SCREW,MAINN MIXTURE	12	P022-03-6970	CASE,STARTER	18
C460-00-0441	LOCKOUT, THROTTLE	28	P005-00-1270	PLUG, H AJUST SCREW	12	P022-03-7670	STOPPER, ROPE	18
C465-00-0030	RESETTER, LATCH	20	P005-00-1890	BASE, ASY PRIMER	12	P100-00-1870	CRANKCASE SET	4

NUMERICAL PARTS INDEX

Part No	Part description	Page	Part No	Part description	Page	Part No	Part description	Page
P100-00-2260	LID,CLEANER ASY	10	V452-00-1510	SPRING,TORSION	28	V805-00-0100	BOLT, TORX 5	10
P100-00-4080	CASE,GEAR ASY	20	V452-00-1520	SPRING,TORSION	28	V805-00-0120	BOLT, TORX 5	24
P100-00-4090	MAIN PIPE ASY	26	V470-00-0840	PIPE	14	V805-00-0130	BOLT, TORX 5	4
P100-00-4100	HOOK ASY	26	V471-00-1210	PIPE	14	V805-00-0130	BOLT, TORX 5	20
V103-00-1360	GASKET,INTAKE	10	V475-00-7200	TUBE	6	V805-00-0150	BOLT, TORX 5	2
V103-00-1390	GASKET,INTAKE	10	V485-00-1120	LEAD	6	V805-00-0150	BOLT, TORX 5	16
V104-00-0850	GASKET,EXHAUST	16	V490-00-1240	CLIP	14	V805-00-0150	BOLT, TORX 5	28
V104-00-1761	GASKET,EXHAUST	16	V494-00-0880	CAP	20	V805-00-0160	BOLT, TORX 5	8
V110-00-0180	GASKET,GEAR CASE	20	V494-00-0891	CAP	20	V805-00-0160	BOLT, TORX 5	10
V150-00-0371	PLATE,EYE	16	V495-00-3020	BAND	28	V805-00-0160	BOLT, TORX 5	14
V150-00-3941	PLATE,EYE	20	V541-00-0570	SEAL	20	V805-00-0170	BOLT, TORX 5	20
V187-00-0080	GREASE NIPPLE	20	V553-00-0060	BEARING,NEEDLE 8	2	V805-00-0190	BOLT, TORX 5	16
V204-00-0570	BOLT	24	V650-00-0661	GEAR,SPUR	20	V805-00-0250	BOLT, TORX 5	24
V204-00-0580	PIN RATCHET	20	V651-00-1000	GEAR,BEVEL	20	V805-00-0300	BOLT, TORX 5	20
V263-00-0330	FLANGE NUT	24	V655-00-0090	SHAFT,PINION	20	X041-00-0510	CUTTER,ASM	24
V299-00-0250	KNOB,FASTENER	10	V804-00-0030	BOLT, TORX 4	16	X411-00-1320	CUTTER	24
V304-00-0240	WASHER	24	V804-00-0060	BOLT, TORX 4	8	X425-00-0920	SUPPORT,CUTTER	24
V340-00-0300	SHIM	20	V804-00-0060	BOLT, TORX 4	18	X425-00-0930	SUPPORT,CUTTER	24
V347-00-0030	CONE WASHER	20	V804-00-0070	BOLT, TORX 4	6	X495-00-0570	SCABBARD,BLADE	30
V354-00-0320	COLLAR	20	V804-00-0110	BOLT, TORX 4	20	X502-00-0330	LABEL,ECHO	18
V356-00-0730	COLLAR,10	20	V805-00-0000	BOLT, TORX 5	2	X505-00-7710	LABEL,CAUTION	2
V376-00-2130	SPACER	24	V805-00-0000	BOLT, TORX 5	16	X547-00-3260	LABEL,ECHO	2
V450-00-1930	SPRING, COMPRESSION	20	V805-00-0000	BOLT, TORX 5	28	X605-00-0170	TOOL,L WRENCH	30
V452-00-0710	COIL SPRING	20	V805-00-0060	BOLT, TORX 5	26	X690-00-0080	GOGGLE	30